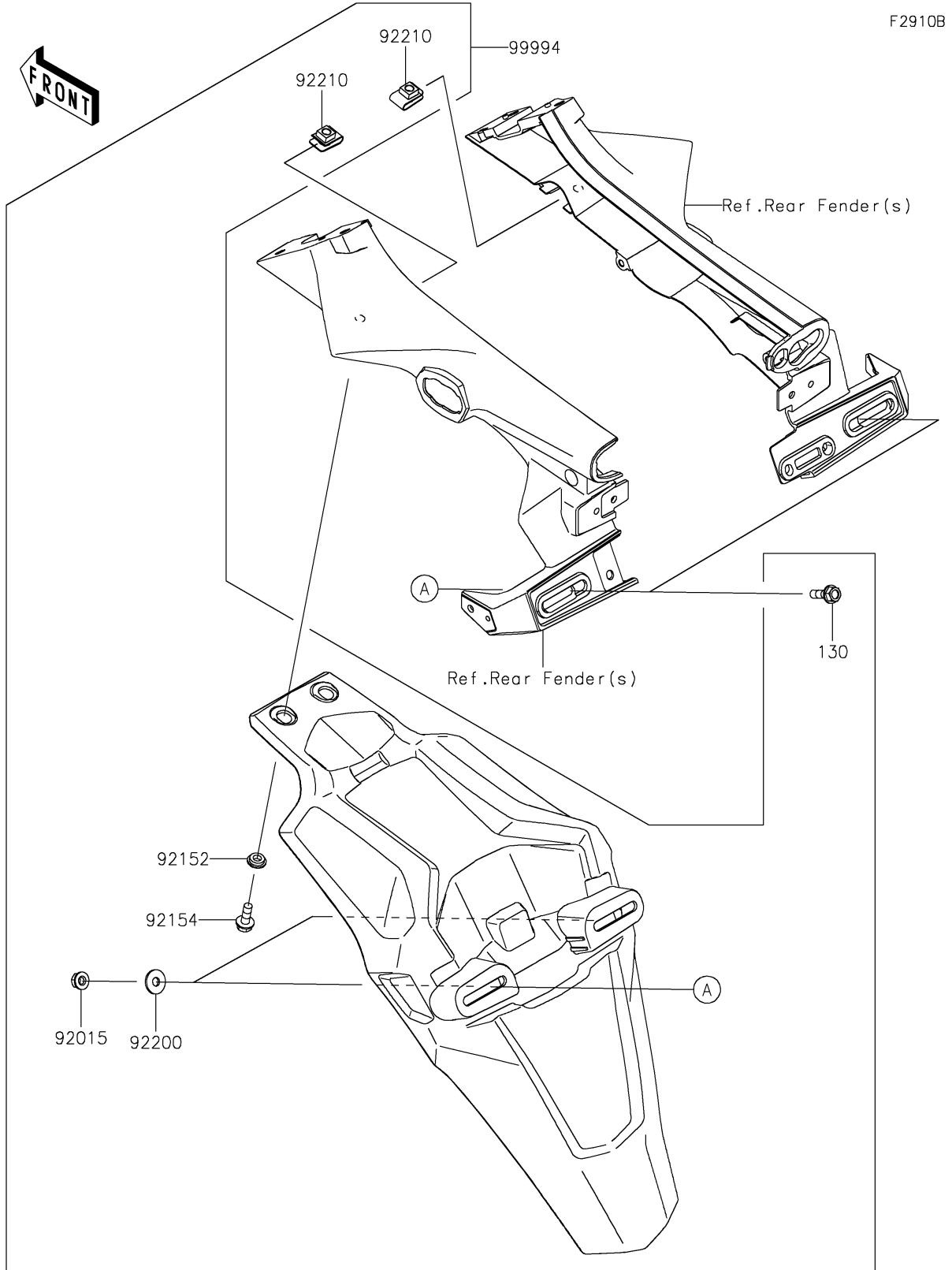


2023 Z900 ABS PARTS DIAGRAM

Accessory(Extended Flap)



2023 Z900 ABS PARTS LIST

Accessory(Extended Flap)

| ITEM NAME | PART NUMBER | QUANTITY |
|---|-------------|----------|
| NUT,FLANGED,6MM (Ref # 92015) | 92015-1367 | 2 |
| COLLAR,6.2X14X3.7 (Ref # 92152) | 92152-2306 | 2 |
| BOLT,FLANGED-SMALL,6X16 (Ref # 92154) | 92154-1893 | 2 |
| WASHER,6.5X18X1.6 (Ref # 92200) | 92200-0766 | 2 |
| NUT,CLIP,6MM (Ref # 92210) | 92210-0933 | 2 |
| KIT-ACCESSORY,EXTENDED FLAP (Ref # 99994) | 99994-0848 | 1 |
| BOLT-FLANGED,6X20 (Ref # 130) | 130BA0620 | 2 |