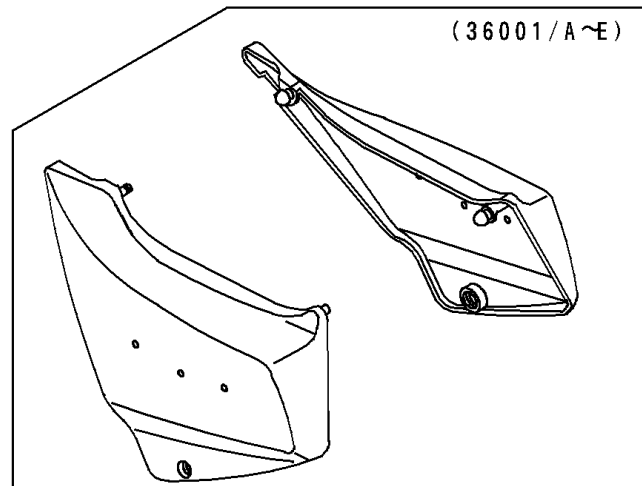
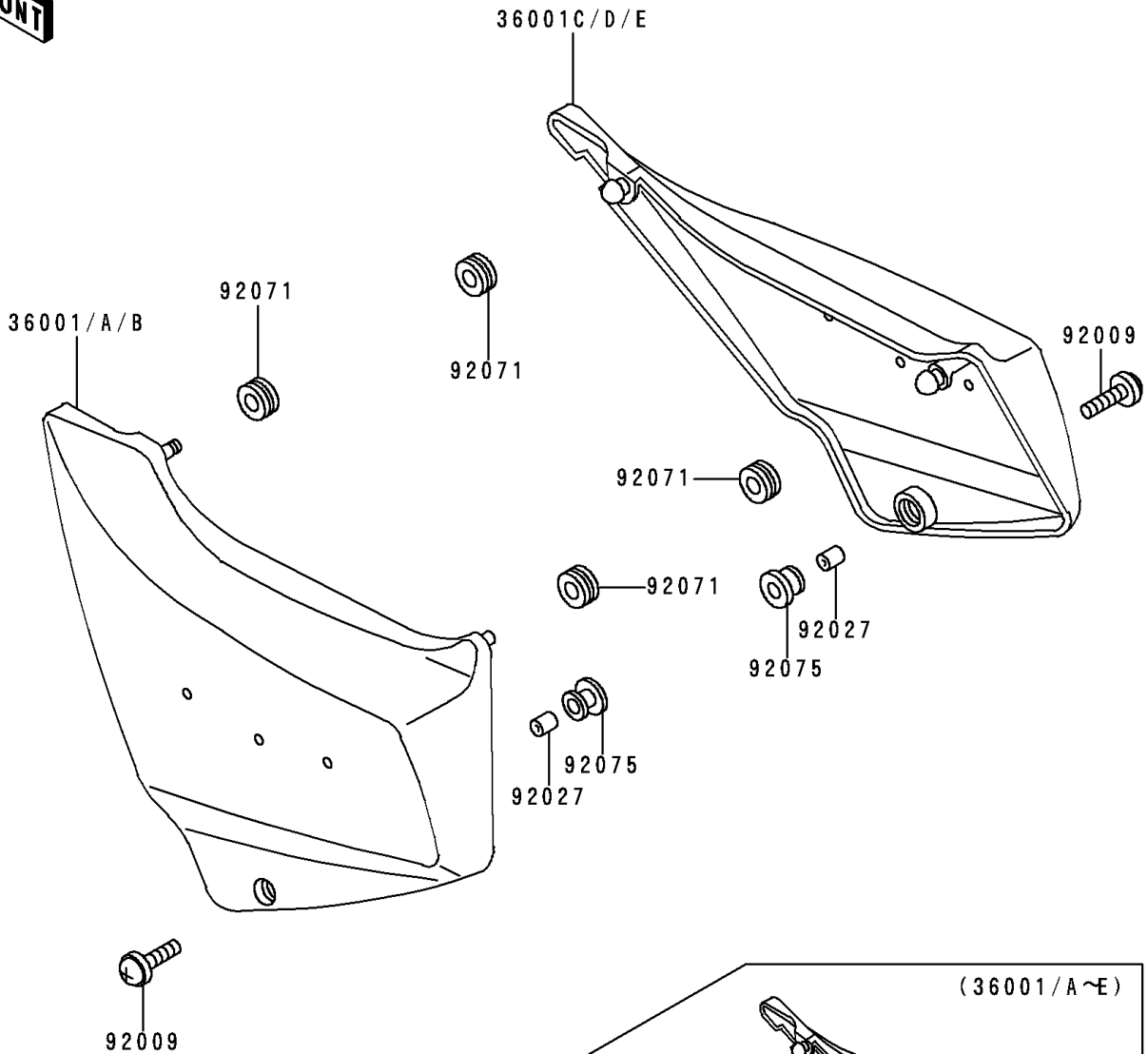


1999 Voyager XII PARTS DIAGRAM

Side Covers

F2611



W0D

1999 Voyager XII PARTS LIST

Side Covers

| ITEM NAME | PART NUMBER | QUANTITY |
|---|---------------|----------|
| COVER-SIDE,LH,P.BOULOGNE (Ref # 36001B) | 36001-1322-7X | 1 |
| COVER-SIDE,RH,P.BOULOGNE (Ref # 36001E) | 36001-1323-7X | 1 |
| SCREW,6X18 (Ref # 92009) | 92009-1663 | 2 |
| COLLAR,6.8X10X12 (Ref # 92027) | 92027-162 | 2 |
| GROMMET (Ref # 92071) | 92071-056 | 4 |
| DAMPER,MALE (Ref # 92075) | 92075-174 | 2 |