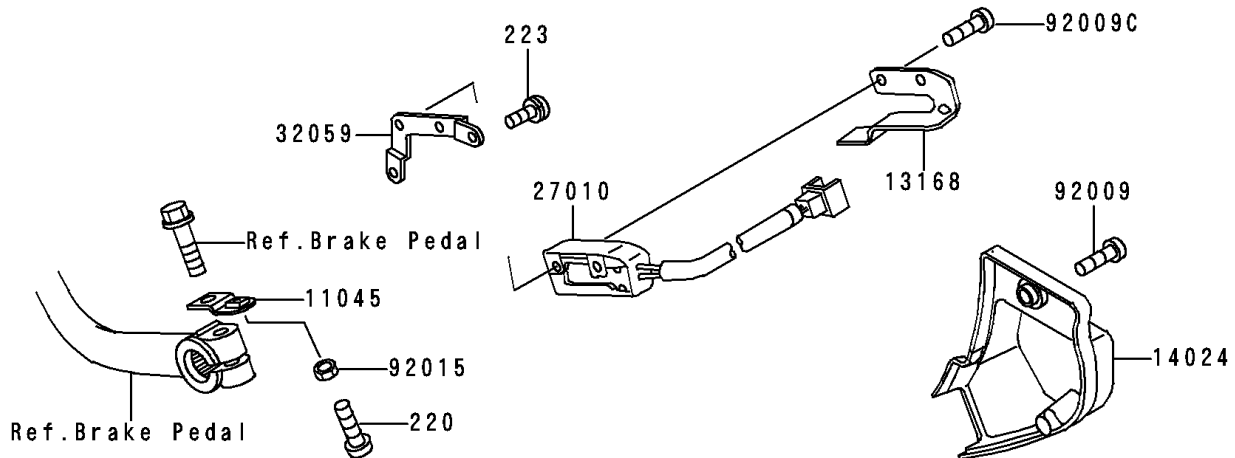
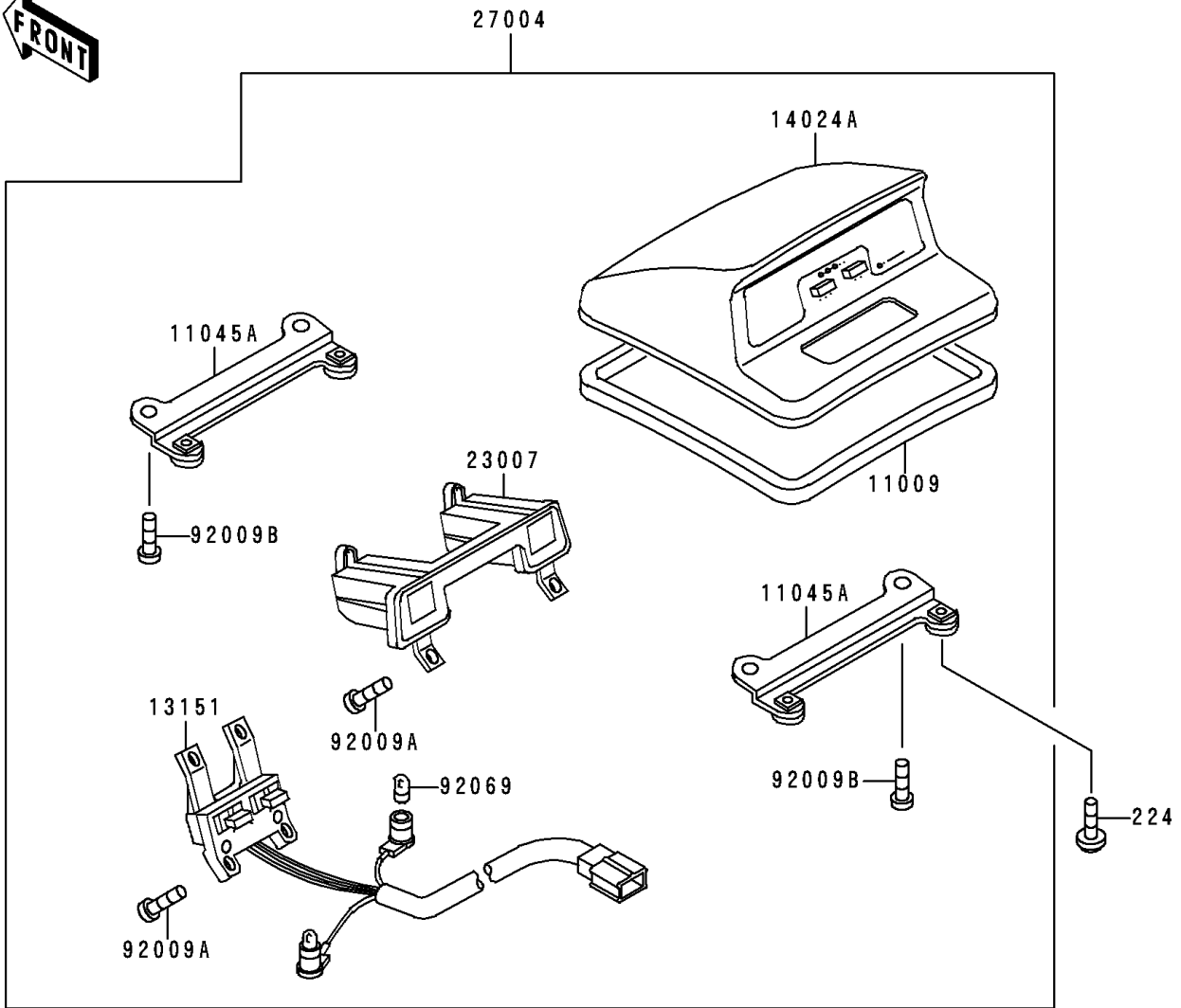


# 1999 Voyager XII PARTS DIAGRAM

Cruise Switch

F2769



# 1999 Voyager XII PARTS LIST

## Cruise Switch

| ITEM NAME                                    | PART NUMBER   | QUANTITY |
|--|---------------|----------|
| SCREW-PAN-CROS (Ref # 220)                   | 220B0416      | 1        |
| SCREW-PAN-WS-CROS (Ref # 223)                | 223B0510      | 2        |
| SCREW-PAN-WP-CROS (Ref # 224)                | 224B0516      | 4        |
| GASKET,CRUISE CONTROL SWITCH (Ref # 11009)   | 11009-1682    | 1        |
| BRACKET,CRUISE CANCEL SWITCH (Ref # 11045)   | 11045-1913    | 1        |
| BRACKET,CRUISE CONTROL SWITCH (Ref # 11045A) | 11045-1937    | 2        |
| SWITCH-COMP,CRUISE CONTROL (Ref # 13151)     | 13151-1068    | 1        |
| LEVER,CRUISE CANCEL SWITCH (Ref # 13168)     | 13168-1364    | 1        |
| COVER,CRUISE CANCEL SWITCH (Ref # 14024)     | 14024-1539    | 1        |
| COVER,CRUISE CONTROL SWITCH (Ref # 14024A)   | 14024-1552-6Z | 1        |
| LENS-COMP,CRUISE CONTROL (Ref # 23007)       | 23007-1178    | 1        |
| SWITCH-ASSY,CRUISE CONTROL,BLK (Ref # 27004) | 27004-1057-6Z | 1        |
| SWITCH,CRUISE CANCEL (Ref # 27010)           | 27010-1237    | 1        |
| BRACKET-SWITCH,CRUISE CANCEL (Ref # 32059)   | 32059-1087    | 1        |
| SCREW,5X12,BLACK (Ref # 92009)               | 92009-1182    | 2        |
| SCREW,TAPPING,4X12 (Ref # 92009A)            | 92009-1395    | 8        |
| SCREW,TAPPING,5X10 (Ref # 92009B)            | 92009-1499    | 4        |
| SCREW,4X16 (Ref # 92009C)                    | 92009-1500    | 2        |
| NUT,4MM (Ref # 92015)                        | 92015-1676    | 1        |
| BULB,12V 3.4W (Ref # 92069)                  | 92069-1007    | 2        |