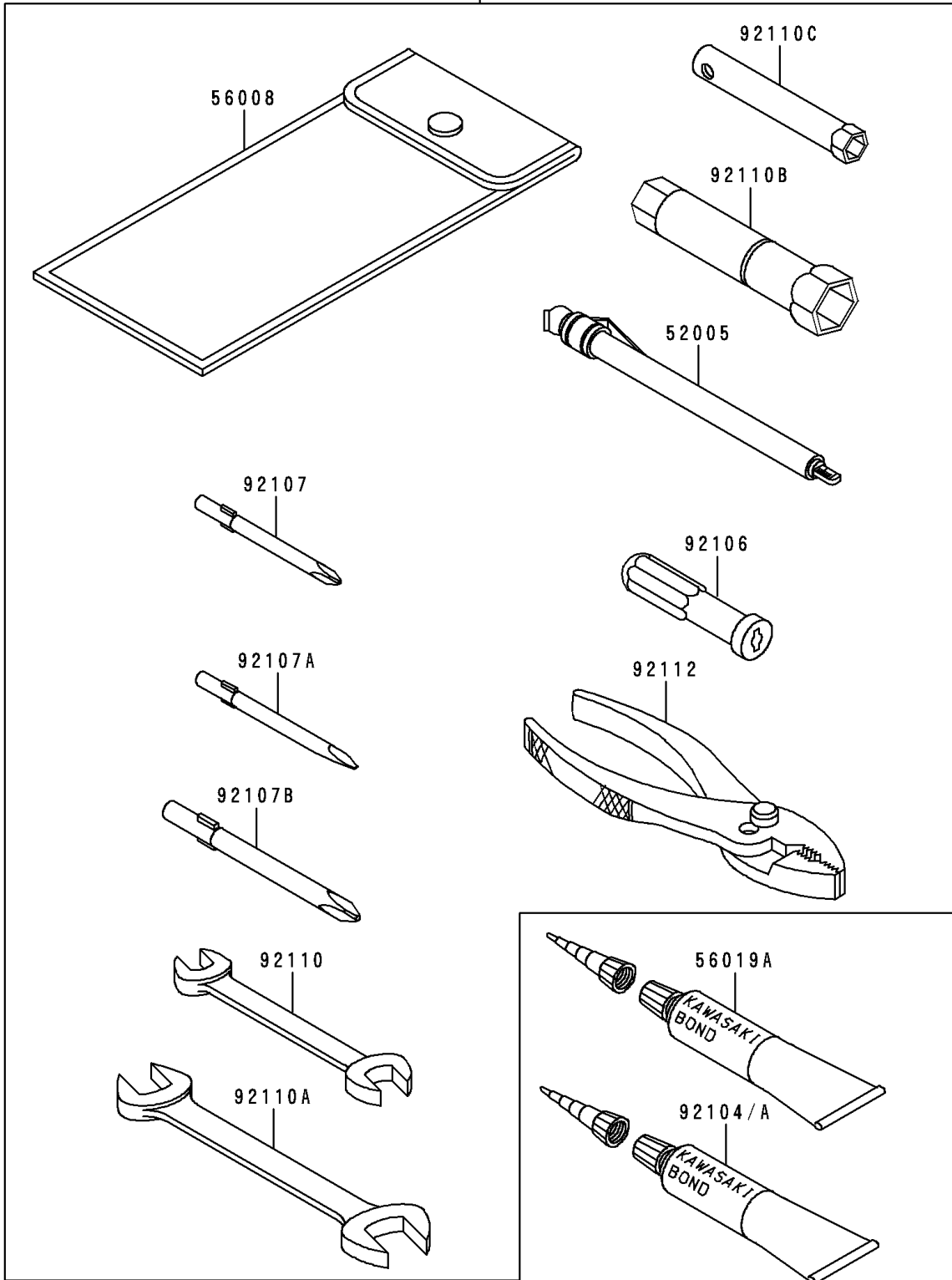


# 1998 Voyager XII PARTS DIAGRAM

Owner's Tools

56007

F2810



# 1998 Voyager XII PARTS LIST

Owner's Tools

ITEM NAME	PART NUMBER	QUANTITY
-----------	-------------	----------