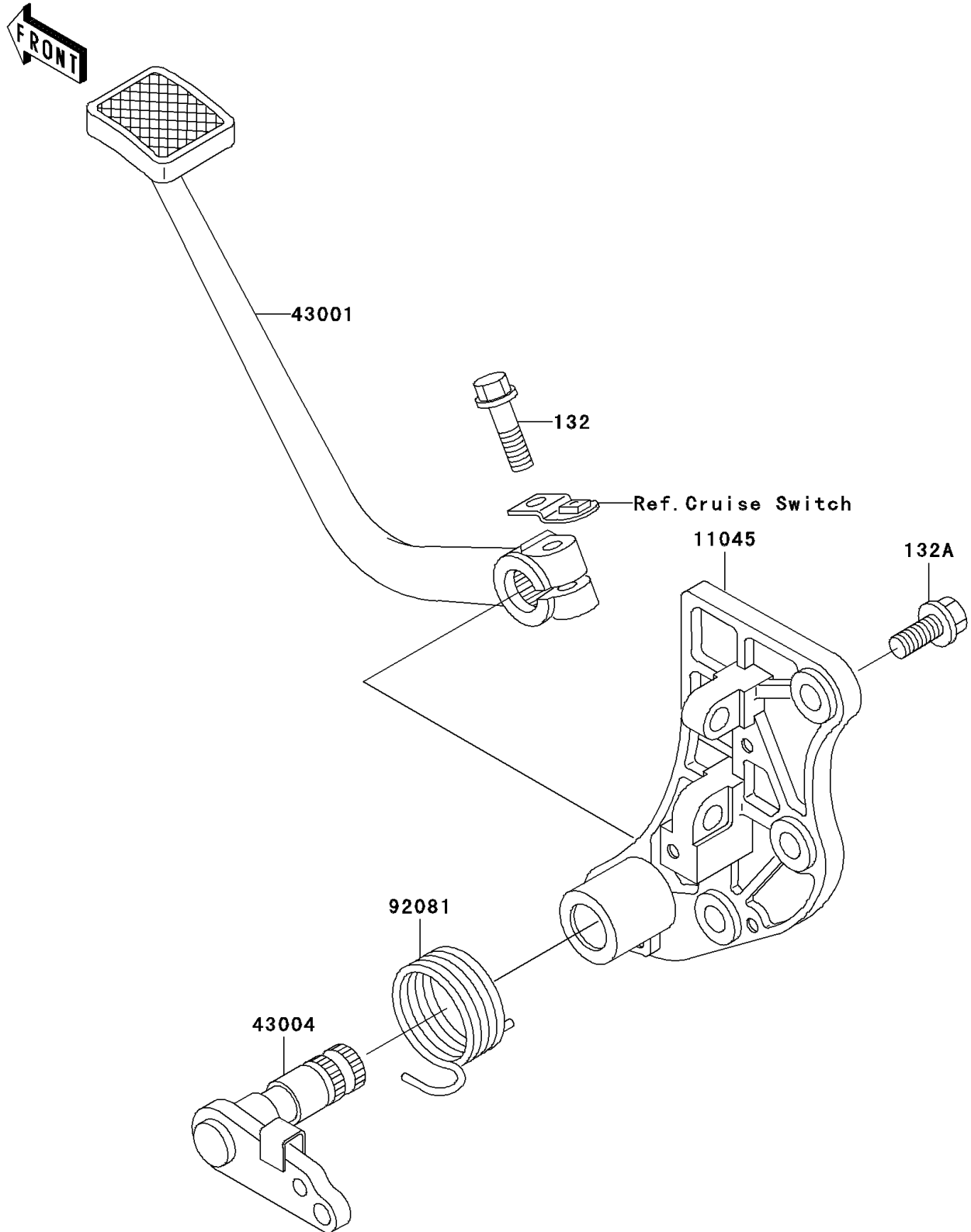


# 2003 Voyager XII PARTS DIAGRAM

Brake Pedal/Torque Link

F2260



## 2003 Voyager XII PARTS LIST

### Brake Pedal/Torque Link

| ITEM NAME                               | PART NUMBER | QUANTITY |
|---|-------------|----------|
| BOLT-FLANGED-SMALL (Ref # 132)          | 132E0825    | 1        |
| BOLT-FLANGED-SMALL,8X16 (Ref # 132A)    | 132J0816    | 3        |
| BRACKET,BRAKE PEDAL (Ref # 11045)       | 11045-1910  | 1        |
| LEVER-BRAKE,PEDAL (Ref # 43001)         | 43001-1235  | 1        |
| SHAFT-BRAKE (Ref # 43004)               | 43004-1119  | 1        |
| SPRING,BRAKE PEDAL RETURN (Ref # 92081) | 92081-1955  | 1        |