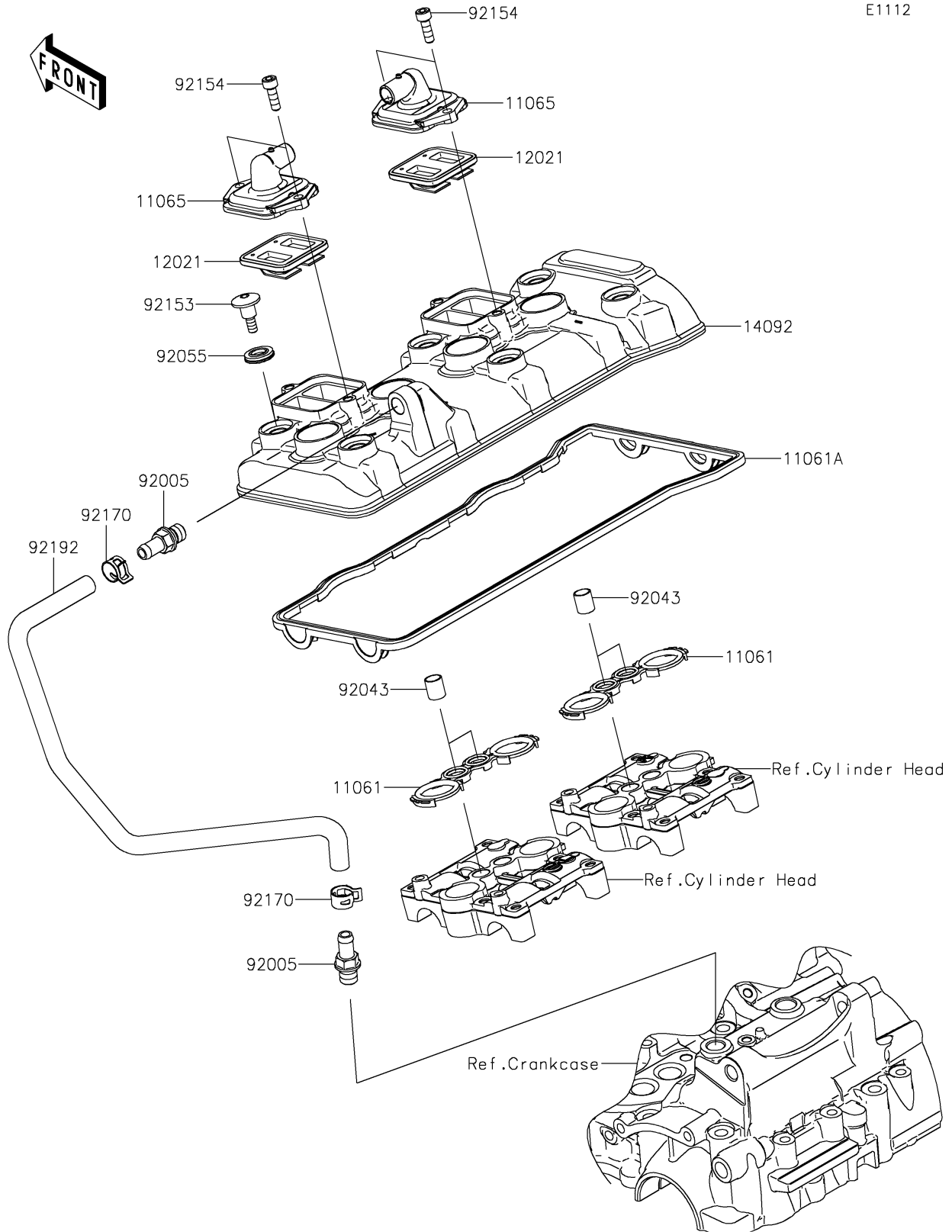


2022 Ninja ZX-6R (CA) PARTS DIAGRAM

Cylinder Head Cover

E1112



2022 Ninja ZX-6R (CA) PARTS LIST

Cylinder Head Cover

| ITEM NAME | PART NUMBER | QUANTITY |
|---|-------------|----------|
| GASKET,PLUG HOLE (Ref # 11061) | 11061-0374 | 2 |
| GASKET,HEAD COVER (Ref # 11061A) | 11061-0375 | 1 |
| CAP,HEAD COVER (Ref # 11065) | 11065-0328 | 2 |
| VALVE-ASSY-REED (Ref # 12021) | 12021-0016 | 2 |
| COVER,HEAD (Ref # 14092) | 14092-1084 | 1 |
| FITTING,BREATHER CONNECTION (Ref # 92005) | 92005-0086 | 2 |
| PIN,10.1X12X14 (Ref # 92043) | 92043-4009 | 4 |
| RING-O (Ref # 92055) | 92055-0187 | 6 |
| BOLT,SOCKET,6X22.5 (Ref # 92153) | 92153-1779 | 6 |
| BOLT,SOCKET,6X18 (Ref # 92154) | 92154-1832 | 4 |
| CLAMP (Ref # 92170) | 92170-1938 | 2 |
| TUBE,BREATHER CONNECTION (Ref # 92192) | 92192-0423 | 1 |