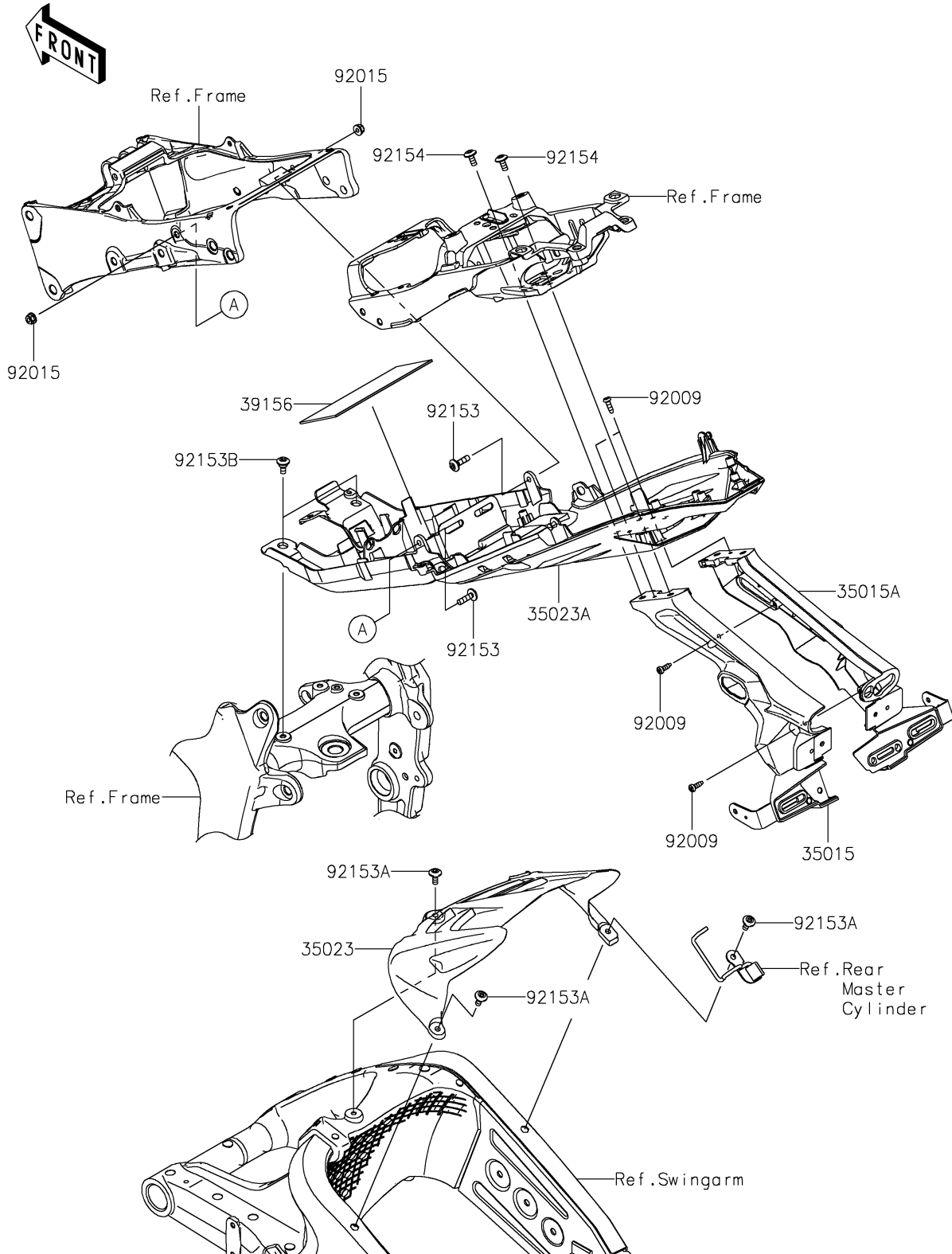


# 2023 Ninja ZX-6R (CA) KRT Edition PARTS DIAGRAM

Rear Fender(s)

F2172



## 2023 Ninja ZX-6R (CA) KRT Edition PARTS LIST

### Rear Fender(s)

ITEM NAME	PART NUMBER	QUANTITY
FLAP-COMP,LH (Ref # 35015)	35015-0040	1
FLAP-COMP,RH (Ref # 35015A)	35015-0041	1
FENDER-REAR,INNER (Ref # 35023)	35023-0171	1
FENDER-REAR (Ref # 35023A)	35023-0446	1
PAD (Ref # 39156)	39156-0530	1
SCREW,TAPPING,5X16 (Ref # 92009)	92009-1984	4
NUT,LOCK,FLANGED,6MM (Ref # 92015)	92015-1603	2
BOLT,SOCKET,6X22 (Ref # 92153)	92153-1356	2
BOLT,SOCKET,6X18 (Ref # 92153A)	92153-1675	3
BOLT,SOCKET,6MM (Ref # 92153B)	92153-1956	2
BOLT,SOCKET,6X14 (Ref # 92154)	92154-0745	4