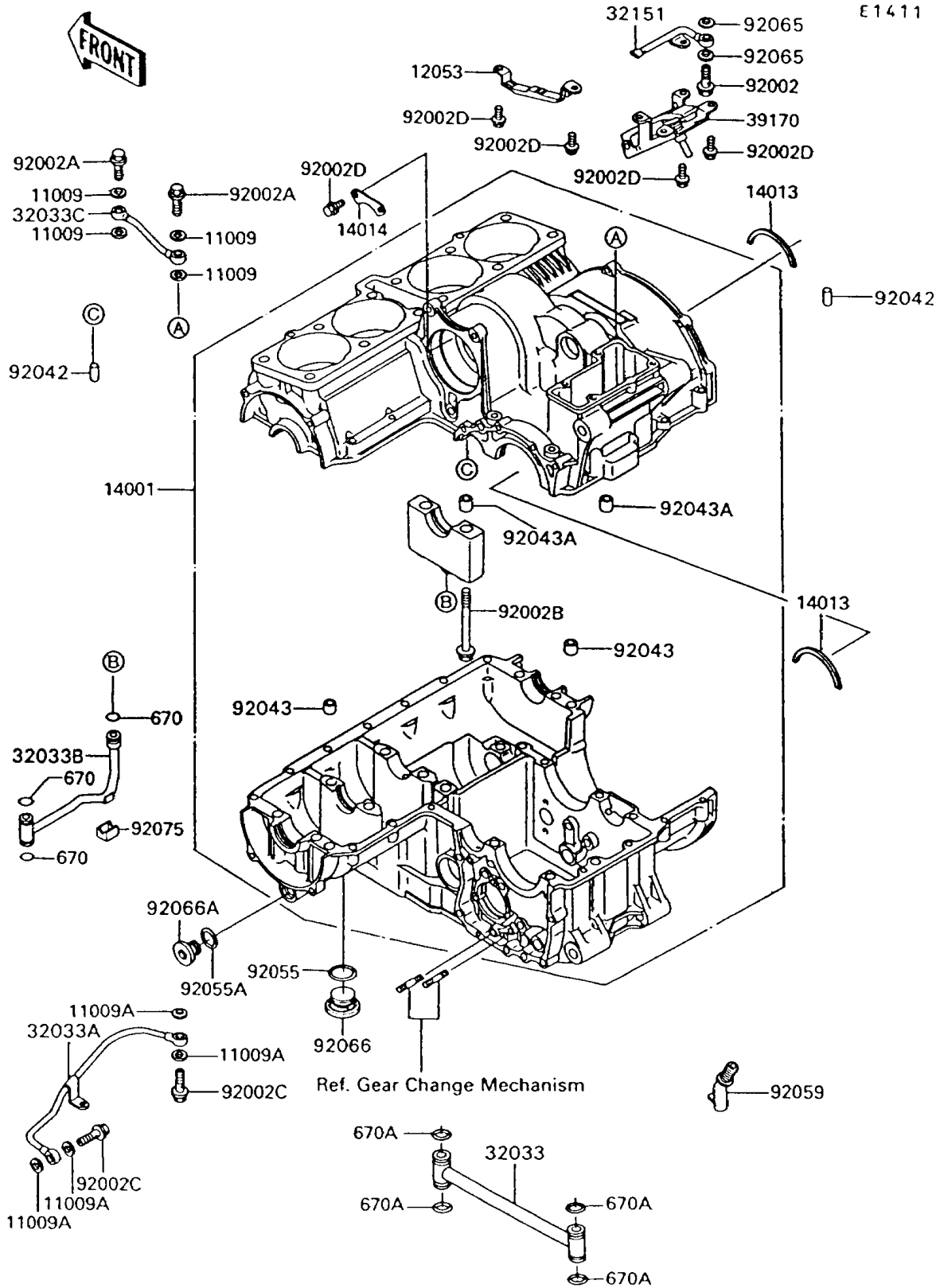


1992 Voyager XII PARTS DIAGRAM

Crankcase



1992 Voyager XII PARTS LIST

Crankcase

| ITEM NAME | PART NUMBER | QUANTITY |
|--|-------------|----------|
| O RING,9MM (Ref # 670) | 670D1509 | 3 |
| O RING,16MM (Ref # 670A) | 670D2016 | 4 |
| GASKET,OIL PIPE,8.2X14X1.0 (Ref # 11009) | 11009-1344 | 4 |
| GASKET,12.4X17X1.5 (Ref # 11009A) | 11009-1376 | 4 |
| GUIDE-CHAIN,TENSIONER (Ref # 12053) | 12053-1209 | 1 |
| SET-CRANKCASE (Ref # 14001) | 14001-5234 | 1 |
| RING-POSITION,T=1.98 (Ref # 14013) | 14013-1054 | 2 |
| PLATE-POSITION (Ref # 14014) | 14014-1075 | 1 |
| PIPE,MAIN GALLERY (Ref # 32033) | 32033-1928 | 1 |
| PIPE (Ref # 32033A) | 32033-1929 | 1 |
| PIPE (Ref # 32033B) | 32033-1930 | 1 |
| PIPE (Ref # 32033C) | 32033-1931 | 1 |
| PIPE (Ref # 32151) | 32151-1229 | 1 |
| TENSIONER-COMP (Ref # 39170) | 39170-1064 | 1 |
| BOLT,BANJO,6X19 (Ref # 92002) | 92002-1473 | 1 |
| BOLT,BANJO,8X20 (Ref # 92002A) | 92002-1618 | 2 |
| BOLT,10X95 (Ref # 92002B) | 92002-1651 | 2 |
| BOLT,BANJO,12X27 (Ref # 92002C) | 92002-1655 | 2 |
| BOLT,6X14 (Ref # 92002D) | 92002-1656 | 8 |
| PIN,DOWEL,6X16 (Ref # 92042) | 92042-016 | 2 |
| PIN,DOWEL,10X14 (Ref # 92043) | 92043-1037 | 2 |
| PIN,11.5X14X14 (Ref # 92043A) | 92043-1279 | 3 |
| RING-O,25.7X2.4 (Ref # 92055) | 92055-1136 | 1 |
| RING-O (Ref # 92055A) | 92055-1146 | 1 |
| TUBE,BREATHER (Ref # 92059) | 92059-1652 | 1 |
| GASKET (Ref # 92065) | 92065-096 | 2 |
| PLUG,OIL RETURN (Ref # 92066) | 92066-1232 | 1 |
| PLUG (Ref # 92066A) | 92066-1394 | 1 |
| DAMPER,PIPE (Ref # 92075) | 92075-1785 | 1 |