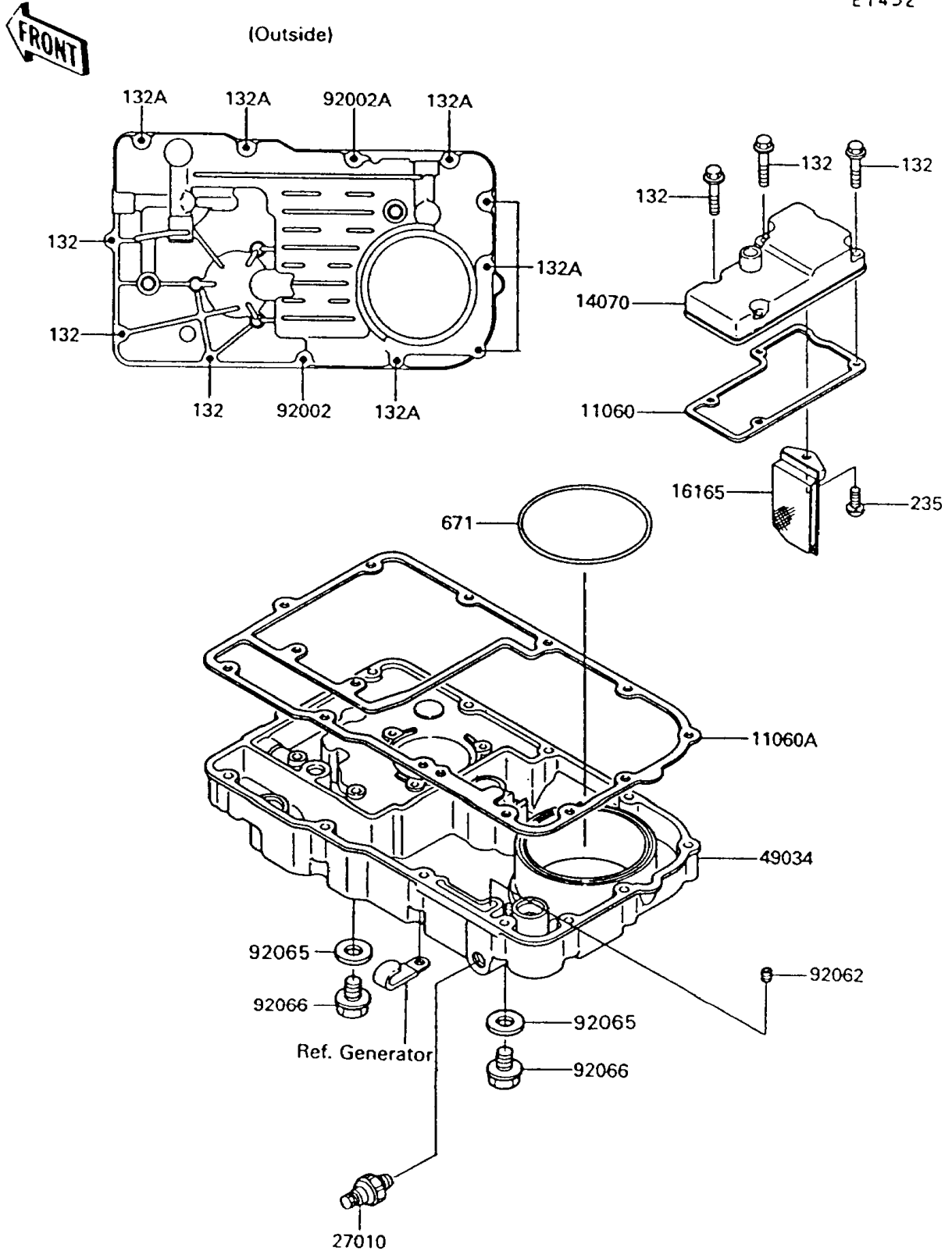


1995 Voyager XII PARTS DIAGRAM

Breather Cover/Oil Pan

E1432



1995 Voyager XII PARTS LIST

Breather Cover/Oil Pan

ITEM NAME	PART NUMBER	QUANTITY
BOLT-FLANGED-SMALL (Ref # 132)	132E0625	7
BOLT-FLANGED-SMALL (Ref # 132A)	132E0640	7
SCREW-PAN-WP-CROS (Ref # 235)	235B0610	1
O RING,90MM (Ref # 671)	671B2590	1
GASKET,BREATHER BODY (Ref # 11060)	11060-1100	1
GASKET,OIL PAN (Ref # 11060A)	11060-1101	1
BODY-BREATHER (Ref # 14070)	14070-1062	1
SEPARATOR,BREATHER BODY (Ref # 16165)	16165-1057	1
SWITCH,OIL PRESSURE (Ref # 27010)	27010-1313	1
PAN-OIL (Ref # 49034)	49034-1110	1
BOLT,6X25 (Ref # 92002)	92002-1612	1
BOLT,6X40 (Ref # 92002A)	92002-1657	1
NOZZLE,YELLOW (Ref # 92062)	92062-1057	1
GASKET,12X22X2,DRAIN PLUG (Ref # 92065)	92065-097	2
PLUG,OIL DRAIN,12X15 (Ref # 92066)	92066-1174	2