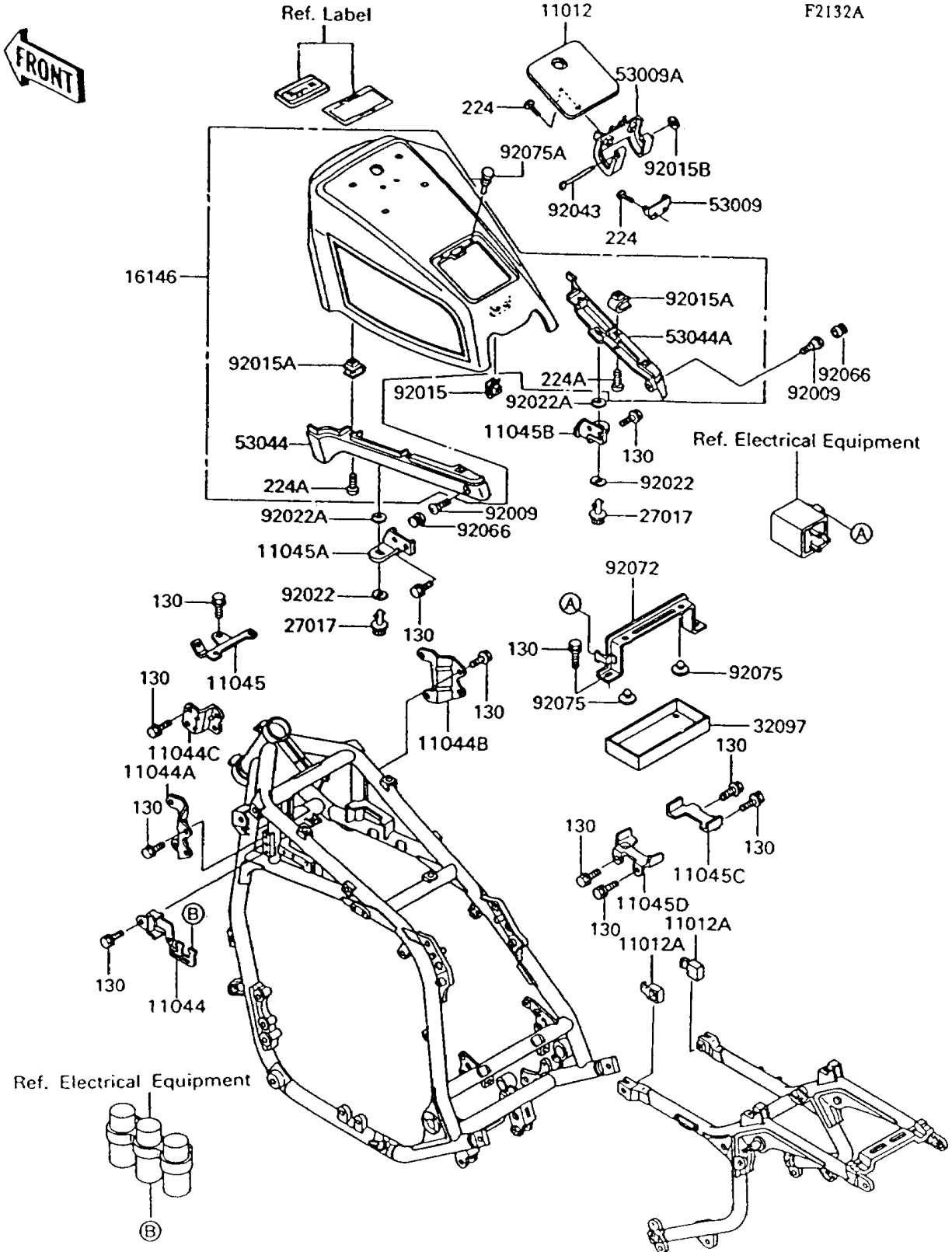


1995 Voyager XII PARTS DIAGRAM

Battery Case(ZG1200-B8/B9)



1995 Voyager XII PARTS LIST

Battery Case(ZG1200-B8/B9)

ITEM NAME	PART NUMBER	QUANTITY
BOLT-FLANGED,6X10 (Ref # 130)	130B0610	17
SCREW-PAN-WP-CROS (Ref # 224)	224B0512	4
SCREW-PAN-WP-CROS (Ref # 224A)	224B0516	6
CAP,DUMMY TANK,P.T.GREEN (Ref # 11012)	11012-1492-TZ	1
CAP (Ref # 11012A)	11012-1542	2
BRACKET,RELAY (Ref # 11044)	11044-1683	1
BRACKET,IGNITION COIL,LH (Ref # 11044A)	11044-1684	1
BRACKET,IGNITION COIL,RH (Ref # 11044B)	11044-1685	1
BRACKET,THERMOSTAT (Ref # 11044C)	11044-1686	1
BRACKET,FUSE (Ref # 11045)	11045-1056	1
BRACKET,DUMMY TANK,LH (Ref # 11045A)	11045-1077	1
BRACKET,DUMMY TANK,RH (Ref # 11045B)	11045-1078	1
BRACKET,BATTERY,RH (Ref # 11045C)	11045-1297	1
BRACKET,BATTERY,LH (Ref # 11045D)	11045-1729	1
COVER-ASSY,DUMMY TANK,GRN/GRN (Ref # 16146)	16146-1082-SX	1
LOCK,DUMMY TANK (Ref # 27017)	27017-1124	2
CASE-BATTERY (Ref # 32097)	32097-1126	1
HINGE,DUMMY TANK (Ref # 53009)	53009-1060	1
HINGE,DUMMY TANK CAP (Ref # 53009A)	53009-1066	1
TRIM,DUMMY TANK,LH,P.T.GREEN (Ref # 53044)	53044-1138-TZ	1
TRIM,DUMMY TANK,RH,P.T.GREEN (Ref # 53044A)	53044-1139-TZ	1
SCREW (Ref # 92009)	92009-1258	2
NUT,5MM (Ref # 92015)	92015-1569	2
NUT,5MM (Ref # 92015A)	92015-1573	6
NUT,PUSH,2.6MM (Ref # 92015B)	92015-1576	1
WASHER,WAVE,8MM (Ref # 92022)	92022-1776	2
WASHER,6.5MM (Ref # 92022A)	92022-1808	2
PIN,2.6X88 (Ref # 92043)	92043-1306	1
PLUG (Ref # 92066)	92066-1243	2

1995 Voyager XII PARTS LIST

Battery Case(ZG1200-B8/B9)

ITEM NAME	PART NUMBER	QUANTITY
BAND,BATTERY (Ref # 92072)	92072-1194	1
DAMPER,RUBBER (Ref # 92075)	92075-078	2
DAMPER (Ref # 92075A)	92075-1808	2