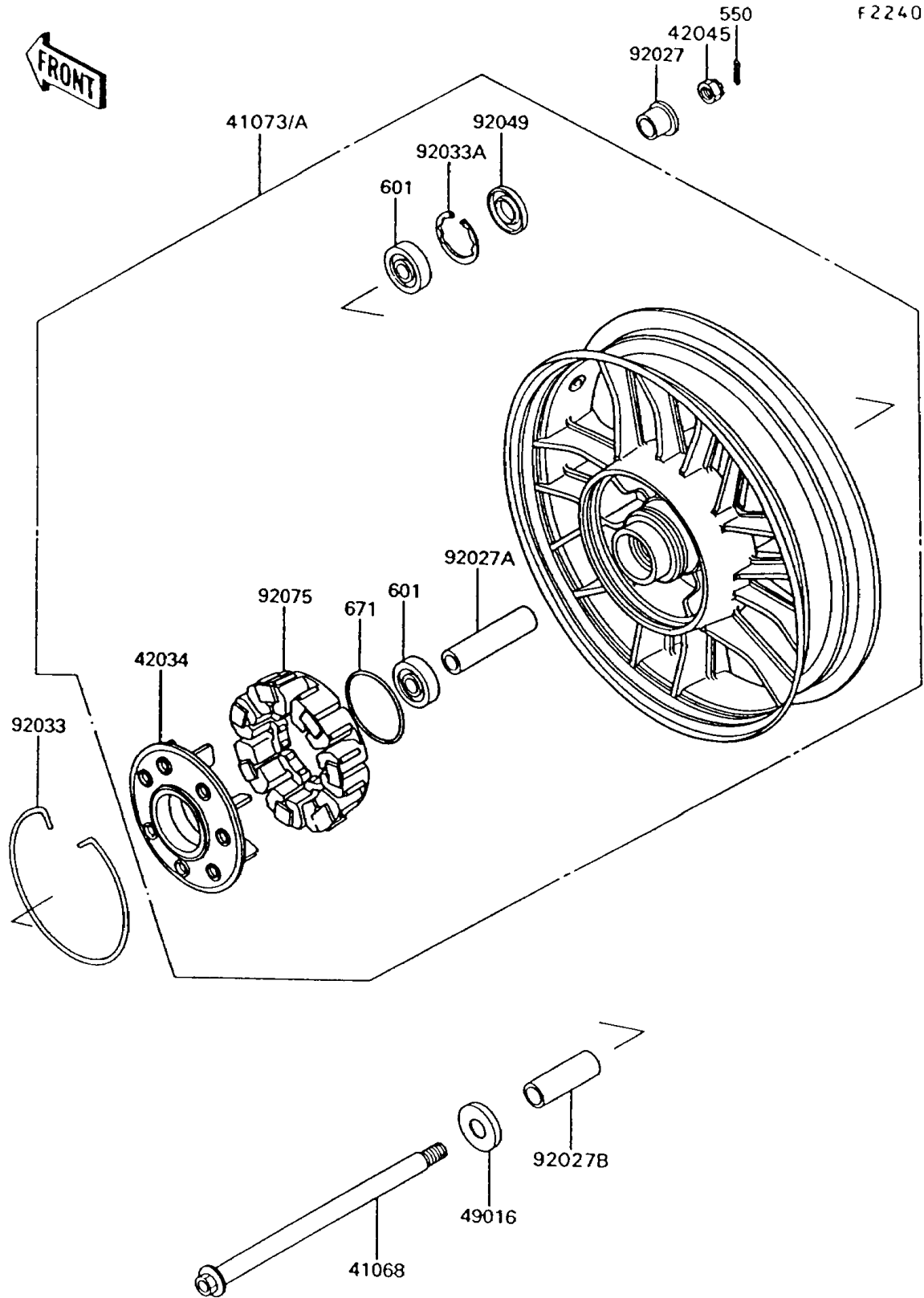


# 1994 Voyager XII PARTS DIAGRAM

Rear Wheel/Chain



# 1994 Voyager XII PARTS LIST

## Rear Wheel/Chain

| ITEM NAME                              | PART NUMBER   | QUANTITY |
|--|---------------|----------|
| PIN-COTTER,4.0X35 (Ref # 550)          | 550D4035      | 1        |
| BEARING-BALL,#6304UUC3 (Ref # 601)     | 601B6304UU    | 2        |
| O RING,80MM (Ref # 671)                | 671B2580      | 1        |
| AXLE,RR (Ref # 41068)                  | 41068-1197    | 1        |
| WHEEL-ASSY,RR,GRAY NO.1 (Ref # 41073A) | 41073-1553-V8 | 1        |
| COUPLING,RR HUB (Ref # 42034)          | 42034-1011    | 1        |
| NUT,CASTLE,18MM (Ref # 42045)          | 42045-018     | 1        |
| COVER-SEAL (Ref # 49016)               | 49016-1019    | 1        |
| COLLAR,RR AXLE,L=20 (Ref # 92027)      | 92027-1792    | 1        |
| COLLAR,20.2X28X105.5 (Ref # 92027A)    | 92027-1901    | 1        |
| COLLAR,20.2X28X86 (Ref # 92027B)       | 92027-1969    | 1        |
| RING-SNAP (Ref # 92033)                | 92033-1019    | 1        |
| RING-SNAP,52MM (Ref # 92033A)          | 92033-1043    | 1        |
| SEAL-OIL,28X52X5 (Ref # 92049)         | 92049-1061    | 1        |
| DAMPER,SHOCK,RR HUB (Ref # 92075)      | 92075-1121    | 1        |