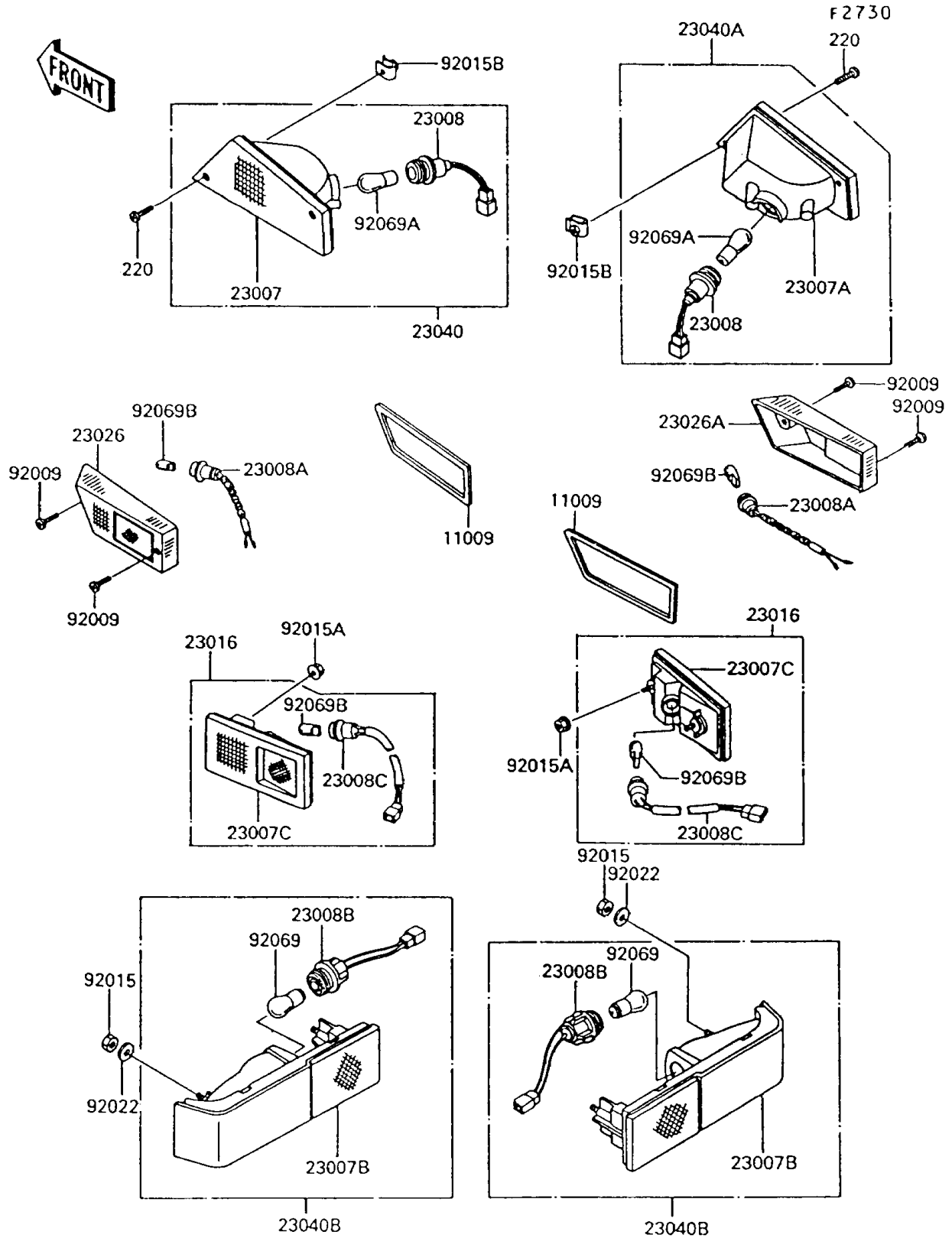


1992 Voyager XII PARTS DIAGRAM

Turn Signals



1992 Voyager XII PARTS LIST

Turn Signals

| ITEM NAME | PART NUMBER | QUANTITY |
|--|-------------|----------|
| SCREW-PAN-CROS,4X20 (Ref # 220) | 220D0420 | 4 |
| GASKET,SIDE MARKER,FR (Ref # 11009) | 11009-1615 | 2 |
| LENS-COMP,SIGNAL LAMP,FR,LH (Ref # 23007) | 23007-1146 | 1 |
| LENS-COMP,SIGNAL LAMP,FR,RH (Ref # 23007A) | 23007-1147 | 1 |
| LENS-COMP,SIGNAL LAMP,RR (Ref # 23007B) | 23007-1148 | 2 |
| LENS-COMP,SIDE MARKER,RR (Ref # 23007C) | 23007-1149 | 2 |
| SOCKET-ASSY,SIGNAL LAMP,FR (Ref # 23008) | 23008-1184 | 2 |
| SOCKET-ASSY,SIDE MARKER,FR (Ref # 23008A) | 23008-1292 | 2 |
| SOCKET-ASSY,SIGNAL LAMP,RR (Ref # 23008B) | 23008-1301 | 2 |
| SOCKET-ASSY,SIDE MARKER,RR (Ref # 23008C) | 23008-1302 | 2 |
| LAMP-ASSY,SIDE MARKER,RR (Ref # 23016) | 23016-1068 | 2 |
| LENS,SIDE MARKER,FR,LH (Ref # 23026) | 23026-1071 | 1 |
| LENS,SIDE MARKER,FR,RH (Ref # 23026A) | 23026-1072 | 1 |
| LAMP-SIGNAL,FR,LH (Ref # 23040) | 23040-1128 | 1 |
| LAMP-SIGNAL,FR,RH (Ref # 23040A) | 23040-1129 | 1 |
| LAMP-SIGNAL,RR (Ref # 23040B) | 23040-1130 | 2 |
| SCREW,4X18 (Ref # 92009) | 92009-1355 | 4 |
| NUT,FLANGED,6MM (Ref # 92015) | 92015-1233 | 4 |
| NUT,FLANGED,5MM (Ref # 92015A) | 92015-1328 | 4 |
| NUT,4MM (Ref # 92015B) | 92015-1567 | 4 |
| WASHER,6.5X20X1.6,BLACK (Ref # 92022) | 92022-1346 | 4 |
| BULB,12V 32CP(23W) (Ref # 92069) | 92069-055 | 2 |
| BULB,12V 32/3CP(23/8W) (Ref # 92069A) | 92069-060 | 2 |
| BULB,12V 3CP (Ref # 92069B) | 92069-1066 | 4 |