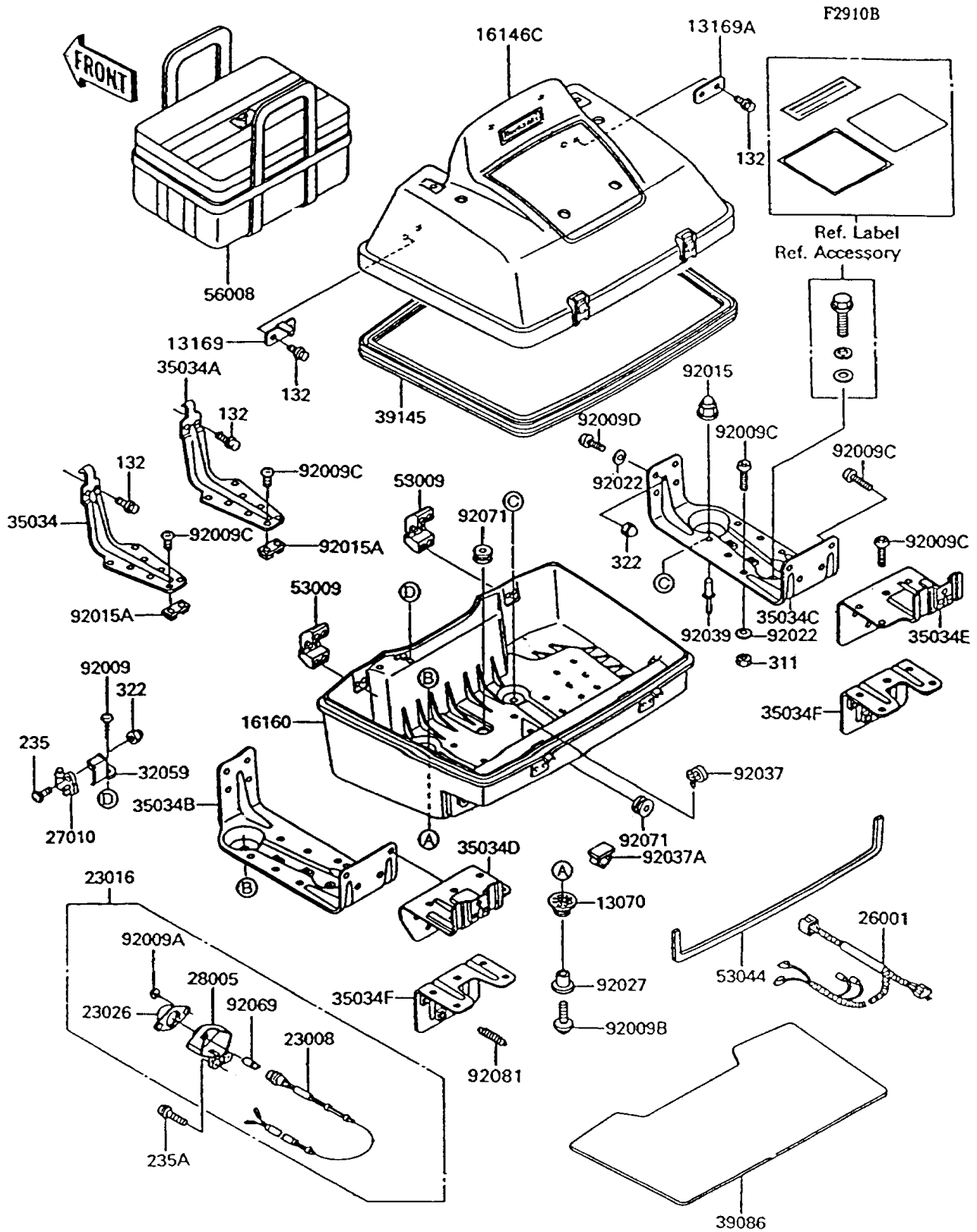


1995 Voyager XII PARTS DIAGRAM

Accessory(Trunk)(ZG1200-B8/B9)



1995 Voyager XII PARTS LIST

Accessory(Trunk)(ZG1200-B8/B9)

| ITEM NAME | PART NUMBER | QUANTITY |
|---|---------------|----------|
| GUIDE (Ref # 13070) | 13070-1149 | 2 |
| PLATE,HINGE,LH (Ref # 13169) | 13169-1635 | 1 |
| PLATE,HINGE,RH (Ref # 13169A) | 13169-1636 | 1 |
| COVER-ASSY,TRUNK,GREEN/GREEN (Ref # 16146C) | 16146-5042-SV | 1 |
| BODY,TRUNK,P.T.GREEN (Ref # 16160) | 16160-1140-SM | 1 |
| SOCKET-ASSY,TRUNK ROOM LAMP (Ref # 23008) | 23008-1295 | 1 |
| LAMP-ASSY,TRUNK ROOM (Ref # 23016) | 23016-1066 | 1 |
| LENS,LAMP (Ref # 23026) | 23026-1054 | 1 |
| HARNESS,TRUNK (Ref # 26001) | 26001-1758 | 1 |
| SWITCH,BRAKE/SIDE STAND (Ref # 27010) | 27010-1185 | 1 |
| BODY-LAMP,TRUNK ROOM (Ref # 28005) | 28005-1054 | 1 |
| BRACKET-SWITCH (Ref # 32059) | 32059-1067 | 1 |
| REINFORCE,HINGE,LH (Ref # 35034) | 35034-1213 | 1 |
| REINFORCE,HINGE,RH (Ref # 35034A) | 35034-1214 | 1 |
| REINFORCE,BAG,LH (Ref # 35034B) | 35034-1215 | 1 |
| REINFORCE,BAG,RH (Ref # 35034C) | 35034-1216 | 1 |
| REINFORCE,TAIL,LH (Ref # 35034D) | 35034-1217 | 1 |
| REINFORCE,TAIL,RH (Ref # 35034E) | 35034-1218 | 1 |
| REINFORCE,TAIL,LWR (Ref # 35034F) | 35034-1219 | 2 |
| PAD-STORAGE,TRUNK (Ref # 39086) | 39086-1051 | 1 |
| TRIM-SEAL,TRUNK (Ref # 39145) | 39145-1087 | 1 |
| HINGE,TRUNK (Ref # 53009) | 53009-1071 | 2 |
| TRIM,TAIL LAMP (Ref # 53044) | 53044-1142 | 1 |
| BAG,INNER (Ref # 56008) | 56008-1060 | 1 |
| SCREW,TAPPING,5X10 (Ref # 92009) | 92009-1332 | 1 |
| SCREW,TAPPING,4X12 (Ref # 92009A) | 92009-1381 | 2 |
| SCREW,6X28,BLACK (Ref # 92009B) | 92009-1400 | 2 |
| SCREW,4X12 (Ref # 92009C) | 92009-1448 | 46 |
| SCREW,4X10 (Ref # 92009D) | 92009-1489 | 8 |

1995 Voyager XII PARTS LIST

Accessory(Trunk)(ZG1200-B8/B9)

| ITEM NAME | PART NUMBER | QUANTITY |
|-------------------------------------|-------------|----------|
| NUT,LOCK 6MM (Ref # 92015) | 92015-1262 | 2 |
| NUT,PLATE,4MM (Ref # 92015A) | 92015-1620 | 6 |
| WASHER,4.3X12X0.8 (Ref # 92022) | 92022-1830 | 24 |
| COLLAR,L=21 (Ref # 92027) | 92027-195 | 2 |
| CLAMP (Ref # 92037) | 92037-1290 | 2 |
| CLAMP,HARNESS (Ref # 92037A) | 92037-1793 | 1 |
| RIVET (Ref # 92039) | 92039-1150 | 8 |
| BULB,12V 3CP (Ref # 92069) | 92069-1066 | 1 |
| BOLT-FLANGED-SMALL,5X12 (Ref # 132) | 132J0512 | 8 |
| SCREW-PAN-WP-CROS (Ref # 235) | 235C0414 | 1 |
| SCREW-PAN-WP-CROS (Ref # 235A) | 235C0430 | 2 |
| NUT-HEX (Ref # 311) | 311C0400 | 12 |
| NUT-CAP,4MM (Ref # 322) | 322C0400 | 9 |
| GROMMET (Ref # 92071) | 92071-1136 | 2 |
| SPRING,HARNESS GUIDE (Ref # 92081) | 92081-1954 | 1 |