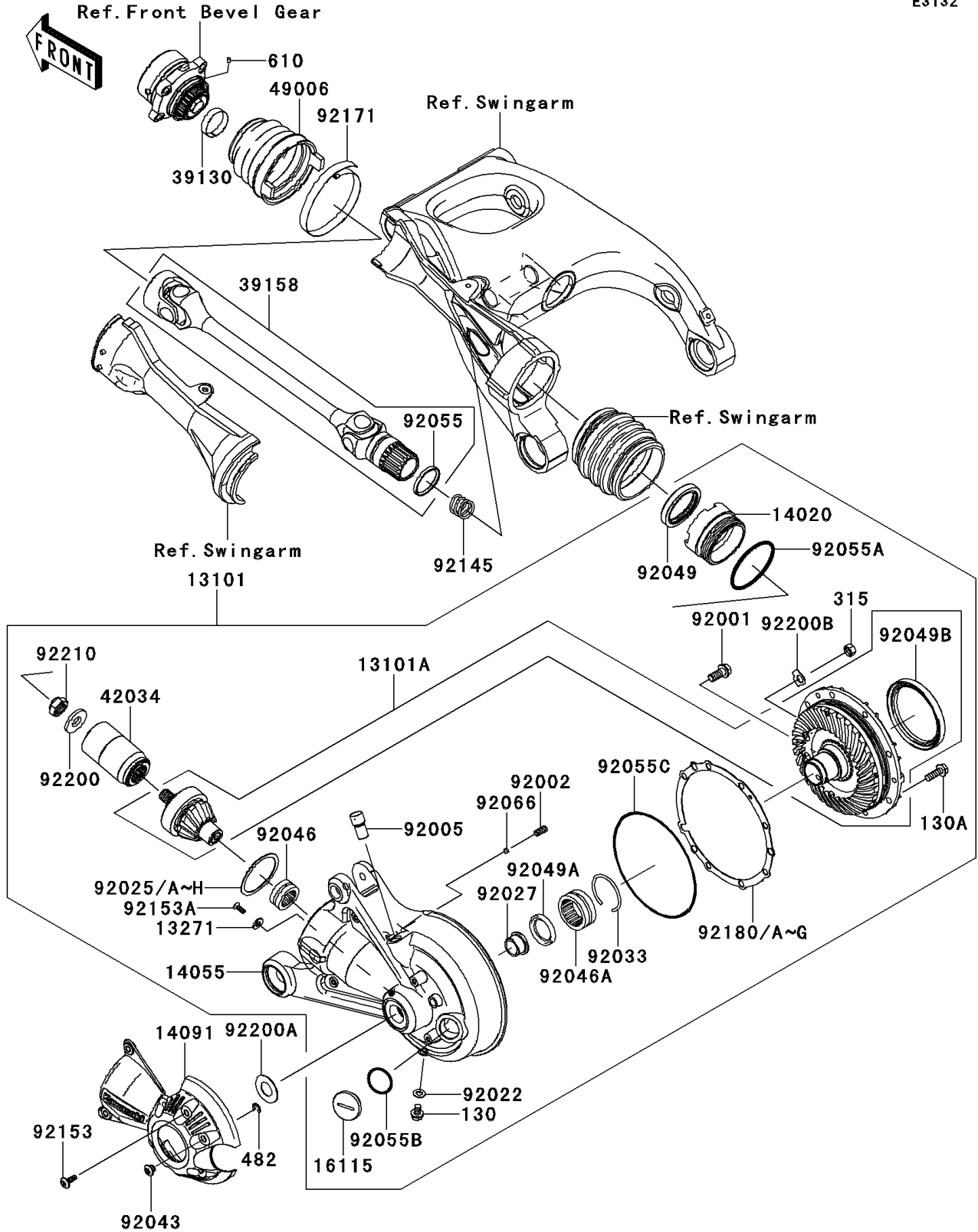


2009 Concours 14 ABS PARTS DIAGRAM

Drive Shaft/Final Gear

E3132



2009 Concours 14 ABS PARTS LIST

Drive Shaft/Final Gear

| ITEM NAME | PART NUMBER | QUANTITY |
|--|----------------|----------|
| GEAR-ASSY,P.SILVER (Ref # 13101) | 13101-0065-458 | 1 |
| GEAR-ASSY,BEVEL,RR (Ref # 13101A) | 13101-5091 | 1 |
| PLATE (Ref # 13271) | 13271-0930 | 1 |
| RETAINER (Ref # 14020) | 14020-0010 | 1 |
| CASE-GEAR,P.SILVER (Ref # 14055) | 14055-0034-458 | 1 |
| COVER,DRIVE SHAFT (Ref # 14091) | 14091-0908 | 1 |
| CAP-OIL FILLER (Ref # 16115) | 16115-1070 | 1 |
| SPRING-LEAF (Ref # 39130) | 39130-1002 | 1 |
| SHAFT-ASSY-DRIVE (Ref # 39158) | 39158-0004 | 1 |
| COUPLING (Ref # 42034) | 42034-0039 | 1 |
| BOOT (Ref # 49006) | 49006-0070 | 1 |
| BOLT,10X23 (Ref # 92001) | 92001-1778 | 1 |
| SCREW-SET-SOCKET,8X18 (Ref # 92002) | 92002-1836 | 1 |
| FITTING (Ref # 92005) | 92005-0094 | 1 |
| WASHER,8.2X16X1 (Ref # 92022) | 92022-1086 | 1 |
| SHIM,T=0.10 (Ref # 92025) | 92025-1733 | AR |
| SHIM,T=0.15 (Ref # 92025A) | 92025-1734 | AR |
| SHIM,T=0.50 (Ref # 92025B) | 92025-1735 | AR |
| SHIM,T=0.60 (Ref # 92025C) | 92025-1736 | AR |
| SHIM,T=0.70 (Ref # 92025D) | 92025-1737 | AR |
| SHIM,T=0.80 (Ref # 92025E) | 92025-1738 | AR |
| SHIM,T=0.90 (Ref # 92025F) | 92025-1739 | AR |
| SHIM,T=1.00 (Ref # 92025G) | 92025-1740 | AR |
| SHIM,T=1.20 (Ref # 92025H) | 92025-1741 | AR |
| COLLAR (Ref # 92027) | 92027-1557 | 1 |
| RING-SNAP,52MM (Ref # 92033) | 92033-1074 | 1 |
| PIN (Ref # 92043) | 92043-0127 | 4 |
| BEARING-NEEDLE,RNA4904ARD (Ref # 92046) | 92046-1168 | 1 |
| BEARING-NEEDLE,38NQ5020WD (Ref # 92046A) | 92046-1169 | 1 |

2009 Concours 14 ABS PARTS LIST

Drive Shaft/Final Gear

| ITEM NAME | PART NUMBER | QUANTITY |
|---|-------------|----------|
| SEAL-OIL,HTC 50 65 9 (Ref # 92049) | 92049-0085 | 1 |
| SEAL-OIL,S-35477HS (Ref # 92049A) | 92049-1025 | 1 |
| SEAL-OIL,MHSA83X100X9XRT (Ref # 92049B) | 92049-1280 | 1 |
| RING-O (Ref # 92055) | 92055-0115 | 1 |
| RING-O,67.6X3.5 (Ref # 92055A) | 92055-0134 | 1 |
| RING-O,31.7X2.4 (Ref # 92055B) | 92055-049 | 1 |
| RING-O,OUTSIDE (Ref # 92055C) | 92055-3771 | 1 |
| PLUG,6.2X3 (Ref # 92066) | 92066-1272 | 1 |
| SPRING,25.8X4.0X86.2 (Ref # 92145) | 92145-0549 | 1 |
| BOLT,6X18 (Ref # 92153) | 92153-0816 | 4 |
| BOLT,TORX,5X15 (Ref # 92153A) | 92153-1787 | 1 |
| BOLT-FLANGED,8X12 (Ref # 130) | 130BB0812 | 1 |
| BOLT-FLANGED,8X25 (Ref # 130A) | 130BD0825 | 7 |
| NUT-HEX-FINE,10MM (Ref # 315) | 315BA1000 | 1 |
| CIRCLIP-TYPE-E (Ref # 482) | 482EA7000 | 4 |
| ROLLER,4X6 (Ref # 610) | 610A0406 | 1 |
| CLAMP (Ref # 92171) | 92171-1715 | 1 |
| SHIM,T=0.15 (Ref # 92180) | 92180-0263 | 1 |
| SHIM,T=0.50 (Ref # 92180A) | 92180-0264 | AR |
| SHIM,T=0.60 (Ref # 92180B) | 92180-0265 | AR |
| SHIM,T=0.70 (Ref # 92180C) | 92180-0266 | AR |
| SHIM,T=0.80 (Ref # 92180D) | 92180-0267 | AR |
| SHIM,T=0.90 (Ref # 92180E) | 92180-0268 | AR |
| SHIM,T=1.00 (Ref # 92180F) | 92180-0269 | AR |
| SHIM,T=1.20 (Ref # 92180G) | 92180-0270 | AR |
| WASHER,16X36X4 (Ref # 92200) | 92200-0320 | 1 |
| WASHER,20.5X40X1.2 (Ref # 92200A) | 92200-0321 | 1 |
| WASHER (Ref # 92200B) | 92200-1003 | 1 |
| NUT,16MM (Ref # 92210) | 92210-0354 | 1 |