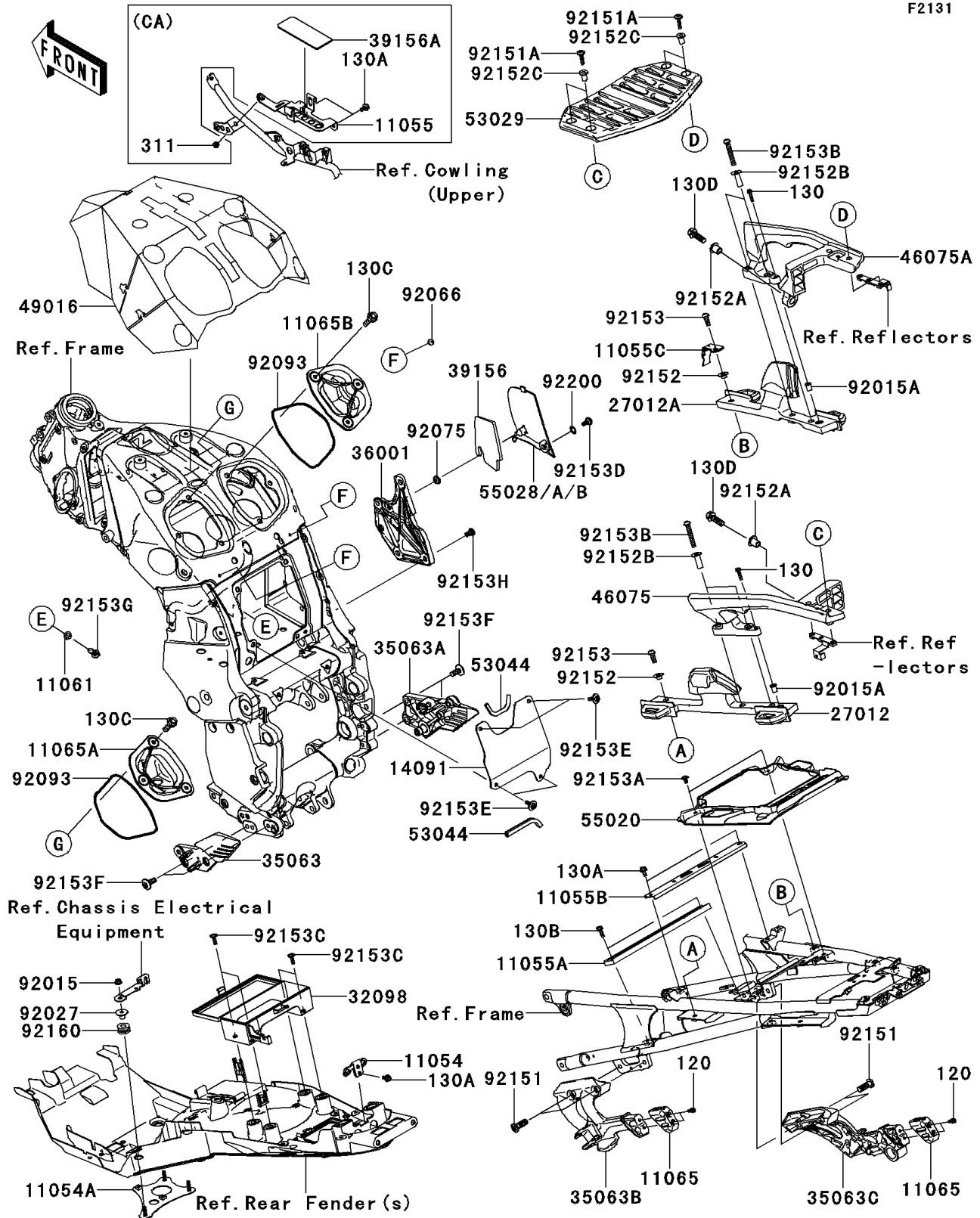


2008 Concours 14 ABS PARTS DIAGRAM

Frame Fittings



2008 Concours 14 ABS PARTS LIST

Frame Fittings

ITEM NAME	PART NUMBER	QUANTITY
BRACKET,DOWN SENSOR (Ref # 11054)	11054-1194	1
BRACKET,REGULATOR (Ref # 11054A)	11054-1197	1
BRACKET,RR FENDER,CROS (Ref # 11055A)	11055-0129	1
BRACKET,REAR FRAME,CLOSS (Ref # 11055B)	11055-0186	1
BRACKET,SIGNAL LAMP RELAY (Ref # 11055C)	11055-0307	1
GASKET (Ref # 11061)	11061-0107	1
CAP (Ref # 11065)	11065-0166	2
CAP,AIR CLEANER,LH (Ref # 11065A)	11065-0222	1
CAP,AIR CLEANER,RH (Ref # 11065B)	11065-0223	1
COVER,BATTERY BACK (Ref # 14091)	14091-0871	1
HOOK,LH (Ref # 27012)	27012-0123	1
HOOK,RH (Ref # 27012A)	27012-0124	1
CASE-TOOL (Ref # 32098)	32098-0016	1
STAY,FR,LH,P.SILVER (Ref # 35063)	35063-0357-458	1
STAY,FR,RH,P.SILVER (Ref # 35063A)	35063-0358-458	1
STAY,RR,LH,F.BLACK (Ref # 35063B)	35063-0359-W9	1
STAY,RR,RH,F.BLACK (Ref # 35063C)	35063-0360-W9	1
COVER-SIDE,BATTERY,RH,BLACK (Ref # 36001)	36001-0105-18R	1
PAD,COWLING,BATTERY (Ref # 39156)	39156-0316	1
GRIP,TAIL,LH,P.SILVER (Ref # 46075)	46075-0066-458	1
GRIP,TAIL,RH,P.SILVER (Ref # 46075A)	46075-0067-458	1
COVER-SEAL (Ref # 49016)	49016-0034	1
CARRIER (Ref # 53029)	53029-0076	1
TRIM,L=100 (Ref # 53044)	53044-1200	2
GUARD,TAIL COVER (Ref # 55020)	55020-0410	1
COWLING,BATTERY,N.SILVER (Ref # 55028A)	55028-0148-17N	1
NUT,FLANGED,6MM (Ref # 92015)	92015-1367	3
NUT,WELL,5MM (Ref # 92015A)	92015-1757	2
COLLAR,L=13.1 (Ref # 92027)	92027-251	3

2008 Concours 14 ABS PARTS LIST

Frame Fittings

ITEM NAME	PART NUMBER	QUANTITY
PLUG (Ref # 92066)	92066-1547	2
DAMPER (Ref # 92075)	92075-1011	1
SEAL (Ref # 92093)	92093-1507	2
BOLT-SOCKET,5X12 (Ref # 120)	120CA0512	4
BOLT-FLANGED,5X25 (Ref # 130)	130BA0525	2
BOLT-FLANGED,6X16 (Ref # 130B)	130BA0616	2
BOLT-FLANGED,6X22 (Ref # 130C)	130BA0622	6
BOLT-FLANGED,10X35 (Ref # 130D)	130BA1035	2
BOLT,SOCKET,10X30 (Ref # 92151)	92151-1372	4
BOLT,SOCKET,6X25 (Ref # 92151A)	92151-1611	4
COLLAR (Ref # 92152)	92152-0532	2
COLLAR (Ref # 92152A)	92152-0534	2
COLLAR (Ref # 92152B)	92152-0610	4
COLLAR (Ref # 92152C)	92152-0627	4
BOLT,SOCKET,8X30 (Ref # 92153)	92153-0393	2
BOLT,SOCKET,6X10 (Ref # 92153A)	92153-0410	2
BOLT,SOCKET,8X50 (Ref # 92153B)	92153-0420	4
BOLT,6X18 (Ref # 92153C)	92153-0478	4
BOLT,SOCKET,6MM (Ref # 92153D)	92153-0489	1
BOLT,6X16 (Ref # 92153E)	92153-0684	4
BOLT,SOCKET,8X20 (Ref # 92153F)	92153-1621	4
BOLT,FLANGED,6X14 (Ref # 92153G)	92153-1676	1
BOLT,SOCKET,8X15 (Ref # 92153H)	92153-1810	4
DAMPER (Ref # 92160)	92160-1162	3
WASHER,10.4X15.9X0.5 (Ref # 92200)	92200-0157	1
BRACKET,CANISTER (Ref # 11055)	11055-0112	1
PAD,CANISTER BRACKET (Ref # 39156A)	39156-0330	1
BOLT-FLANGED,6X12 (Ref # 130A)	130BA0612	3
BOLT-FLANGED,6X12 (Ref # 130A)	130BA0612	5