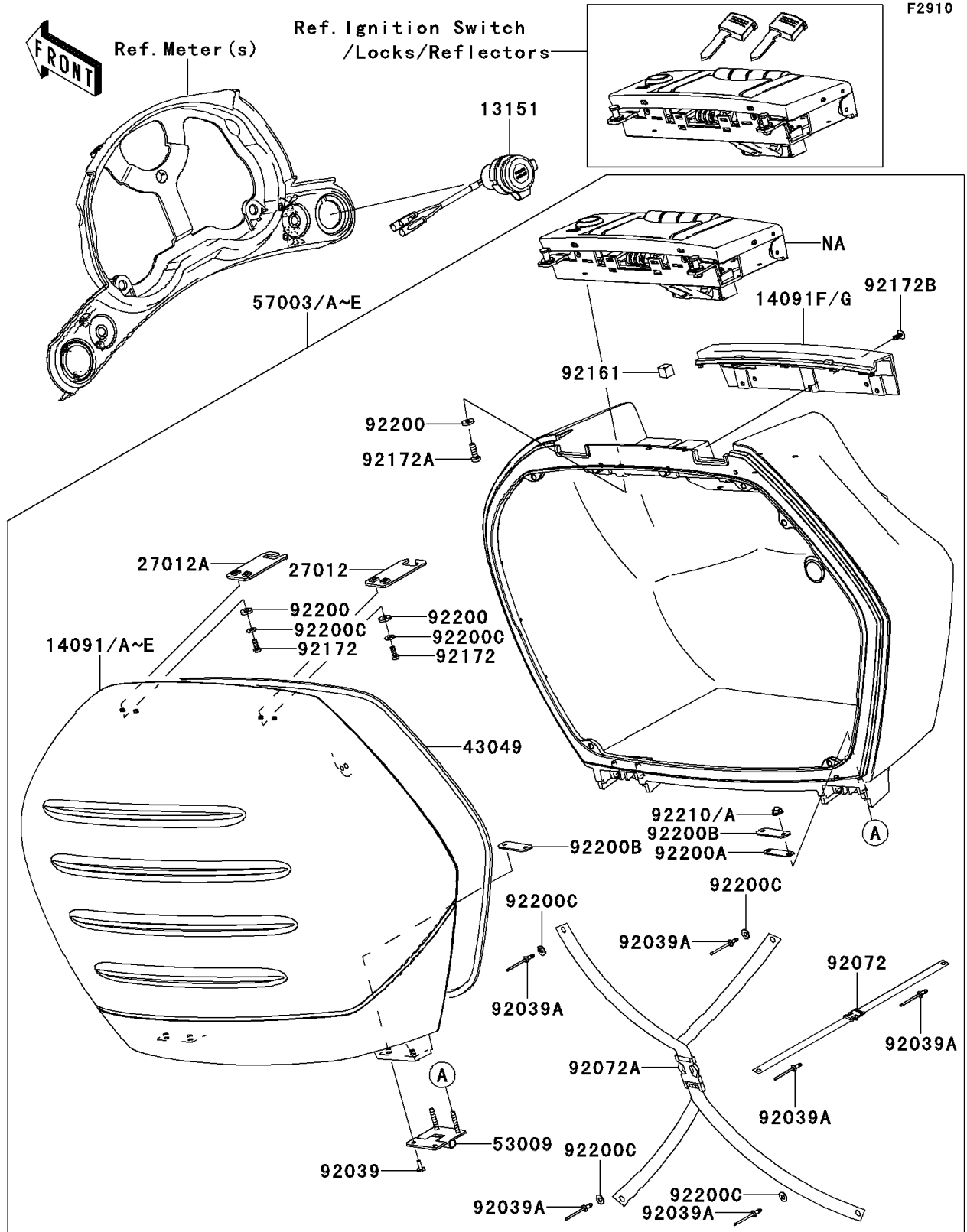


2008 Concours 14 ABS PARTS DIAGRAM

Accessory



2008 Concours 14 ABS PARTS LIST

Accessory

ITEM NAME	PART NUMBER	QUANTITY
SWITCH-COMP (Ref # 13151)	13151-0040	1
COVER,SIDE BAG,LH,N.SILVER (Ref # 14091A)	14091-0919-17N	1
COVER,SIDE BAG,RH,N.SILVER (Ref # 14091D)	14091-0920-17N	1
COVER,SIDE BAG,LID (Ref # 14091F)	14091-0931	2
HOOK (Ref # 27012)	27012-0110	2
HOOK (Ref # 27012A)	27012-0111	2
PACKING (Ref # 43049)	43049-0010	2
HINGE (Ref # 53009)	53009-0020	4
BAG-ASSY,LH,BODY BLK+COVER SIL (Ref # 57003)	57003-0034-18N	1
BAG-ASSY,RH,BODY BLK+COVER SIL (Ref # 57003C)	57003-0035-18N	1
RIVET (Ref # 92039)	92039-0063	8
RIVET (Ref # 92039A)	92039-0072	12
BAND (Ref # 92072)	92072-0082	2
BAND (Ref # 92072A)	92072-1368	2
DAMPER (Ref # 92161)	92161-0573	2
SCREW,4X12 (Ref # 92172)	92172-0303	8
SCREW,5X15 (Ref # 92172A)	92172-0304	16
SCREW,4X8 (Ref # 92172B)	92172-0306	6
WASHER,5MM (Ref # 92200)	92200-0373	24
WASHER (Ref # 92200A)	92200-0374	4
WASHER (Ref # 92200B)	92200-0375	8
WASHER (Ref # 92200C)	92200-0416	16
NUT,CAP,4MM (Ref # 92210)	92210-0389	8