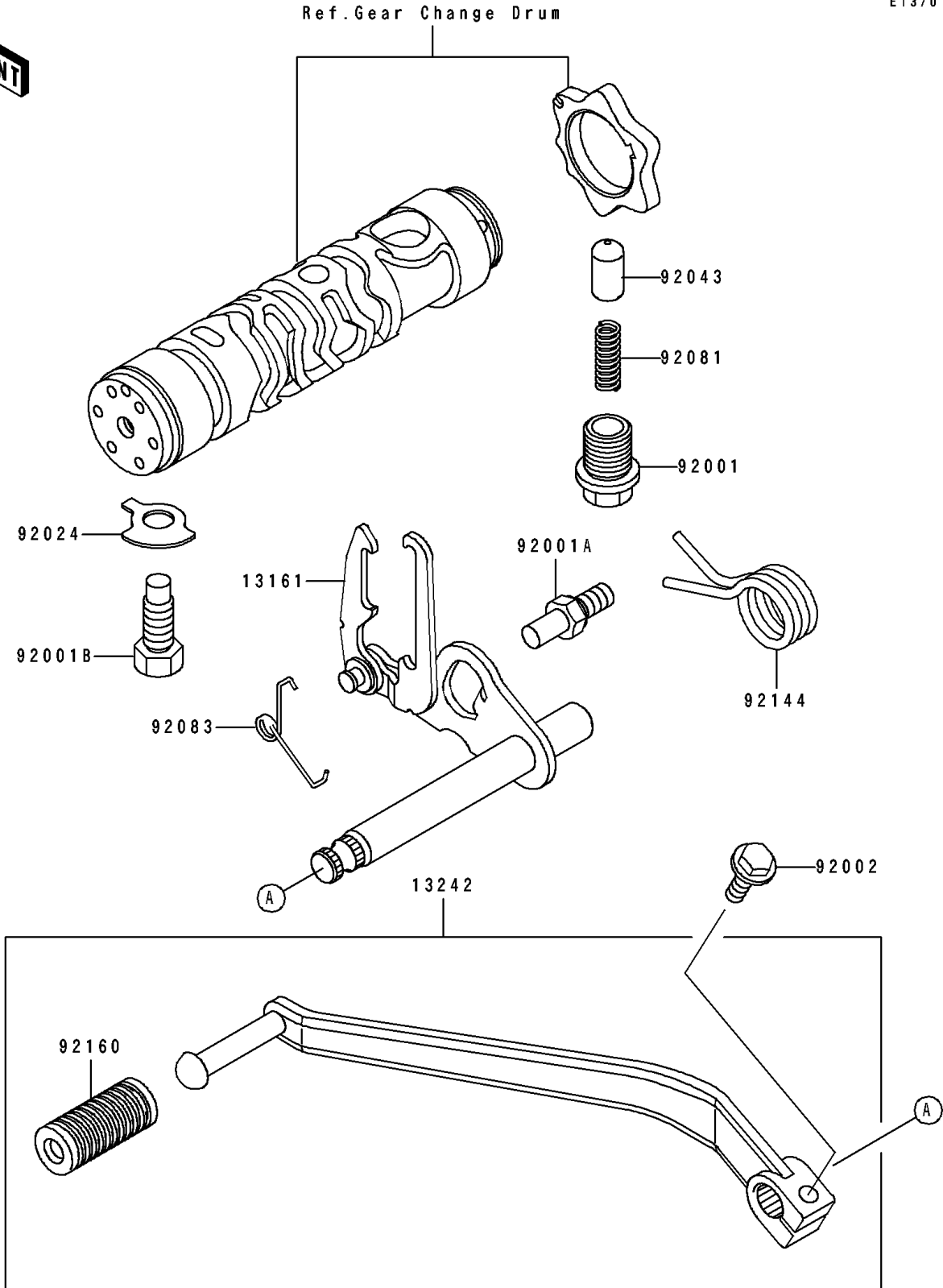


1997 Eliminator 600 PARTS DIAGRAM

Gear Change Mechanism

E1370



1997 Eliminator 600 PARTS LIST

Gear Change Mechanism

ITEM NAME	PART NUMBER	QUANTITY
LEVER-COMP-CHANGE SHAFT (Ref # 13161)	13161-042	1
LEVER-ASSY-CHANGE,PEDAL (Ref # 13242)	13242-1269	1
BOLT,NEUTRAL POSITION (Ref # 92001)	92001-1037	1
BOLT,RETURN SPRING (Ref # 92001A)	92001-1455	1
BOLT,10X26 (Ref # 92001B)	92001-174	1
BOLT,6X20 (Ref # 92002)	92002-1237	1
WASHER,LOCK,10MM (Ref # 92024)	92024-074	1
PIN (Ref # 92043)	92043-076	1
SPRING (Ref # 92081)	92081-112	1
SPRING (Ref # 92083)	92083-018	1
SPRING,CHANGE PEDAL RETURN (Ref # 92144)	92144-1074	1
DAMPER,CHANGE PEDAL (Ref # 92160)	92160-1036	1