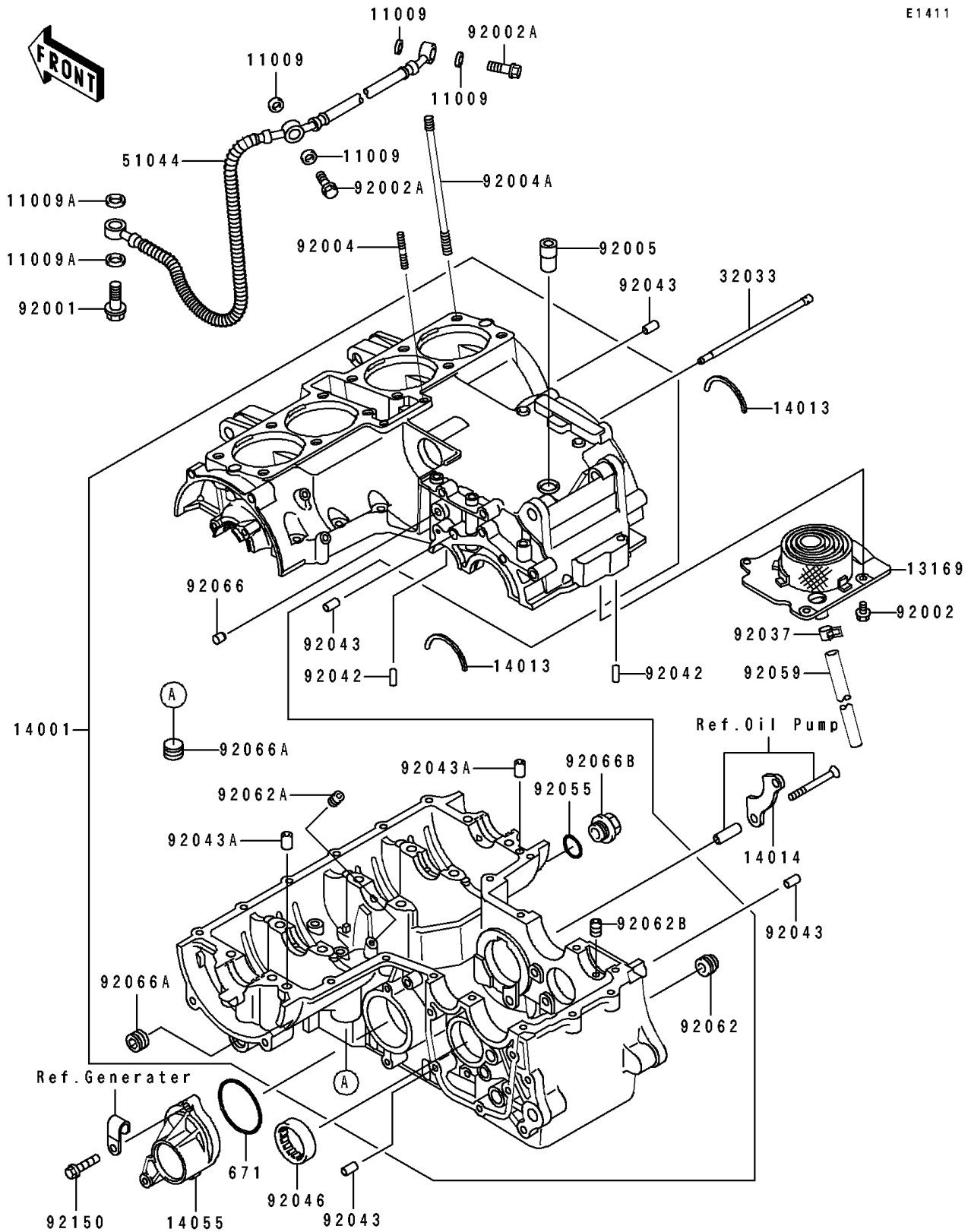


1996 Eliminator 600 PARTS DIAGRAM

Crankcase

E1411



1996 Eliminator 600 PARTS LIST

Crankcase

ITEM NAME	PART NUMBER	QUANTITY
GASKET,OIL PIPE,8.2X14X1.0 (Ref # 11009)	11009-1344	4
GASKET,12.4X17X1.5 (Ref # 11009A)	11009-1376	2
PLATE,BREATHER (Ref # 13169)	13169-1966	1
SET-CRANKCASE (Ref # 14001)	14001-5327	1
RING-POSITION (Ref # 14013)	14013-004	2
PLATE-POSITION (Ref # 14014)	14014-1006	1
CASE-GEAR (Ref # 14055)	14055-1116	1
PIPE,OIL (Ref # 32033)	32033-1858	1
TUBE-ASSY,OIL (Ref # 51044)	51044-1168	1
BOLT,BANJO,12X23 (Ref # 92001)	92001-1871	1
BOLT,6X10 (Ref # 92002)	92002-1449	4
BOLT,BANJO,8X24 (Ref # 92002A)	92002-1858	2
STUD,6X22 (Ref # 92004)	92004-059	2
STUD,8X128.5 (Ref # 92004A)	92004-1161	12
FITTING,BREATHER (Ref # 92005)	92005-1129	1
CLAMP (Ref # 92037)	92037-1181	1
PIN,DOWEL,6X16 (Ref # 92042)	92042-016	2
PIN,6.2X8X14 (Ref # 92043)	92043-1263	4
PIN,8.2X10X14 (Ref # 92043A)	92043-1264	2
BEARING-NEEDLE,37BTM4312 (Ref # 92046)	92046-051	1
RING-O (Ref # 92055)	92055-1146	1
TUBE (Ref # 92059)	92059-1544	1
NOZZLE (Ref # 92062)	92062-014	1
NOZZLE,6X8,BLACK (Ref # 92062A)	92062-1079	1
NOZZLE,6X8,SILVER (Ref # 92062B)	92062-1081	1
PLUG,OIL LINE,7.2X8 (Ref # 92066)	92066-1012	1
PLUG (Ref # 92066A)	92066-1252	2
PLUG (Ref # 92066B)	92066-1394	1
BOLT,6X25 (Ref # 92150)	92150-1779	2

1996 Eliminator 600 PARTS LIST

Crankcase

ITEM NAME	PART NUMBER	QUANTITY
O RING,55MM (Ref # 671)	671B2555	1