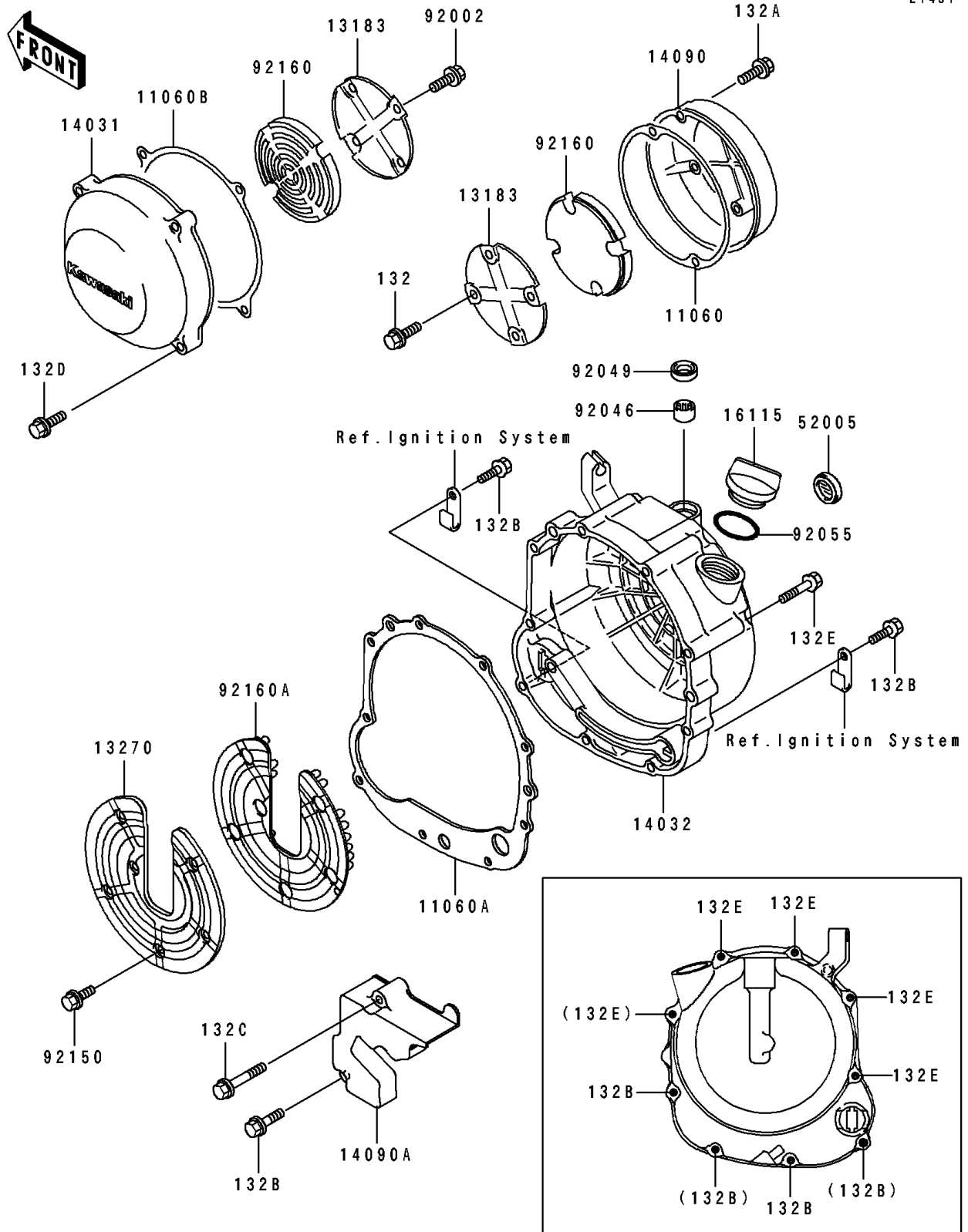


1996 Eliminator 600 PARTS DIAGRAM

Engine Cover(s)

E1431



1996 Eliminator 600 PARTS LIST

Engine Cover(s)

| ITEM NAME | PART NUMBER | QUANTITY |
|---|-------------|----------|
| GASKET,PULSING COIL COVER (Ref # 11060) | 11060-1098 | 1 |
| GASKET,CLUTCH COVER (Ref # 11060A) | 11060-1148 | 1 |
| GASKET,GENERATOR COVER (Ref # 11060B) | 11060-1150 | 1 |
| PLATE (Ref # 13183) | 13183-1789 | 2 |
| PLATE (Ref # 13270) | 13270-1441 | 1 |
| COVER-GENERATOR (Ref # 14031) | 14031-1317 | 1 |
| COVER-CLUTCH (Ref # 14032) | 14032-1414 | 1 |
| COVER,PULSING COIL (Ref # 14090) | 14090-1571 | 1 |
| COVER,LH (Ref # 14090A) | 14090-1577 | 1 |
| CAP-OIL FILLER (Ref # 16115) | 16115-1009 | 1 |
| GAUGE,OIL LEVEL (Ref # 52005) | 52005-1009 | 1 |
| BOLT,6X10 (Ref # 92002) | 92002-1449 | 4 |
| BEARING-NEEDLE,HK1210 (Ref # 92046) | 92046-1010 | 1 |
| SEAL-OIL,TB12205.5 (Ref # 92049) | 92049-1271 | 1 |
| RING-O,31.5X2.6 (Ref # 92055) | 92055-049 | 1 |
| BOLT,5X8 (Ref # 92150) | 92150-1406 | 6 |
| DAMPER (Ref # 92160) | 92160-1332 | 2 |
| DAMPER (Ref # 92160A) | 92160-1610 | 1 |
| BOLT-FLANGED-SMALL (Ref # 132) | 132E0610 | 4 |
| BOLT-FLANGED-SMALL (Ref # 132A) | 132E0625 | 2 |
| BOLT-FLANGED-SMALL (Ref # 132B) | 132E0630 | 5 |
| BOLT-FLANGED-SMALL (Ref # 132C) | 132E0635 | 1 |
| BOLT-FLANGED-SMALL (Ref # 132D) | 132E0640 | 4 |
| BOLT-FLANGED-SMALL (Ref # 132E) | 132E0660 | 5 |