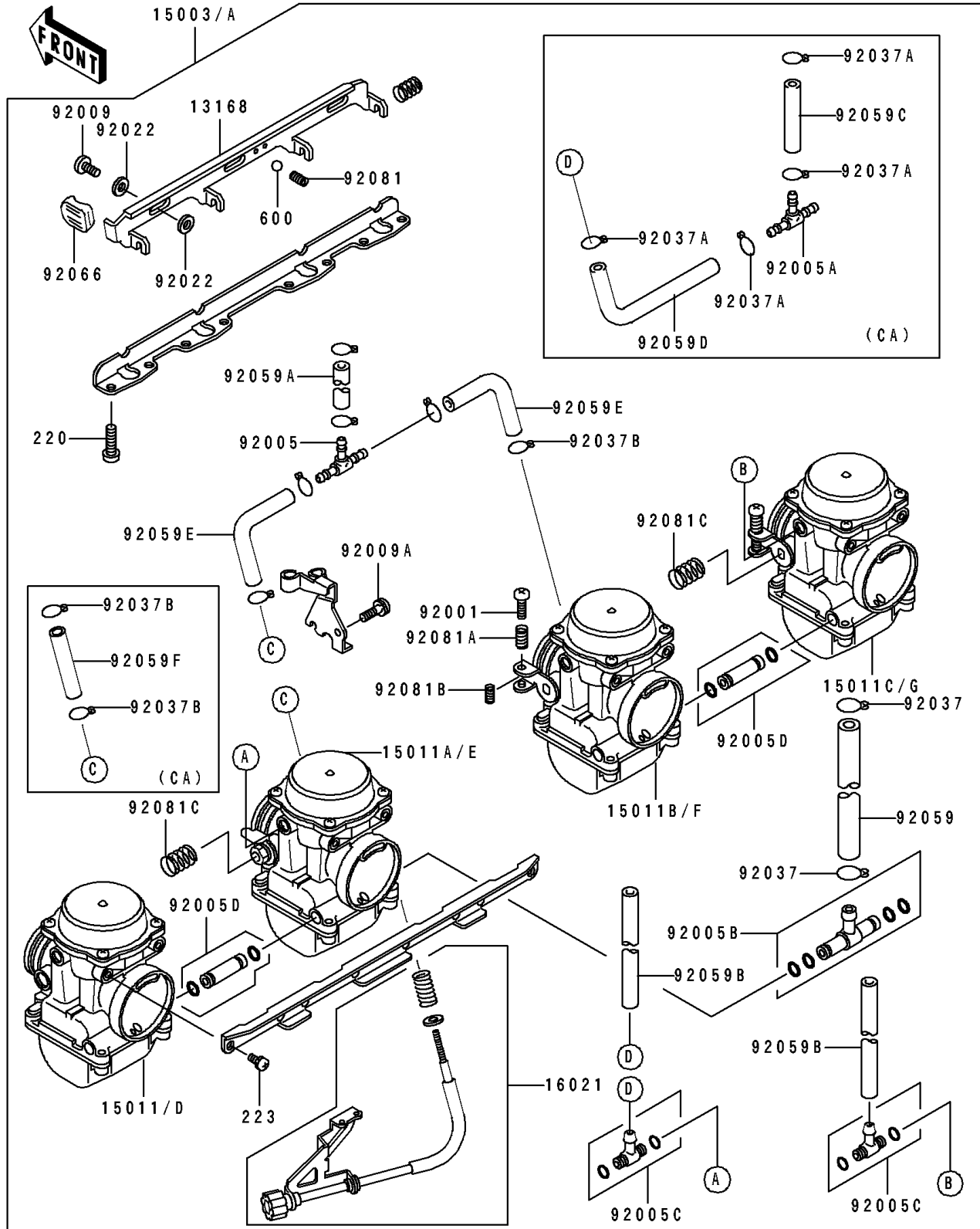


1996 Eliminator 600 PARTS DIAGRAM

Carburetor

E1611



1996 Eliminator 600 PARTS LIST

Carburetor

ITEM NAME	PART NUMBER	QUANTITY
LEVER,STARTER (Ref # 13168)	13168-1434	1
CARBURETOR-ASSY (Ref # 15003)	15003-1205	1
CARBURETOR-ASSY (Ref # 15003A)	15003-1206	1
CARBURETOR,LH,OUTSIDE (Ref # 15011)	15011-1105	1
CARBURETOR,LH,INSIDE (Ref # 15011A)	15011-1106	1
CARBURETOR,RH,INSIDE (Ref # 15011B)	15011-1107	1
CARBURETOR,RH,OUTSIDE (Ref # 15011C)	15011-1108	1
CARBURETOR,LH,OUTSIDE (Ref # 15011D)	15011-1113	1
CARBURETOR,LH,INSIDE (Ref # 15011E)	15011-1114	1
CARBURETOR,RH,INSIDE (Ref # 15011F)	15011-1115	1
CARBURETOR,RH,OUTSIDE (Ref # 15011G)	15011-1116	1
SCREW-THROTTLE STOP (Ref # 16021)	16021-1179	1
BOLT,THROTTLE ADJUST (Ref # 92001)	92001-1998	3
FITTING,FUEL,T-TYPE (Ref # 92005)	92005-1112	1
FITTING,T-TYPE (Ref # 92005A)	92005-1119	1
FITTING (Ref # 92005B)	92005-1288	1
FITTING (Ref # 92005C)	92005-1306	2
FITTING (Ref # 92005D)	92005-1310	2
SCREW (Ref # 92009)	92009-1262	3
SCREW,5X10 (Ref # 92009A)	92009-1365	1
WASHER,6.1X11X0.8,POLYACETAL (Ref # 92022)	92022-1199	6
CLAMP,FUEL TUBE (Ref # 92037)	92037-1075	2
CLAMP,TUBE (Ref # 92037A)	92037-1194	4
CLAMP,TUBE (Ref # 92037B)	92037-1477	2
CLAMP,TUBE (Ref # 92037B)	92037-1477	6
TUBE,FUEL,7.3X12.5X200 (Ref # 92059)	92059-1029	1
TUBE,5X9X200 (Ref # 92059A)	92059-1173	1
TUBE,6.5X9.5X290 (Ref # 92059B)	92059-1376	2
TUBE,7X11X100 (Ref # 92059C)	92059-1476	1

1996 Eliminator 600 PARTS LIST

Carburetor

ITEM NAME	PART NUMBER	QUANTITY
TUBE,7X11X260 (Ref # 92059D)	92059-1613	1
TUBE,5X9X90 (Ref # 92059E)	92059-1627	2
TUBE,5X9X120 (Ref # 92059F)	92059-1721	1
PLUG,STARTER LEVER (Ref # 92066)	92066-1157	1
SPRING,SHAFT STOP (Ref # 92081)	92081-1619	1
SPRING,THROTTLE ADJUST UPP (Ref # 92081A)	92081-1620	3
SPRING,THROTTLE ADJUST LWR (Ref # 92081B)	92081-1621	3
SPRING,THROTTLE ADJUST CNT (Ref # 92081C)	92081-1622	2
SCREW-PAN-CROS,6X16 (Ref # 220)	220B0616	8
SCREW-PAN-WS-CROS (Ref # 223)	223C0510	8
BALL-STEEL,3/16" (Ref # 600)	600A0600	1