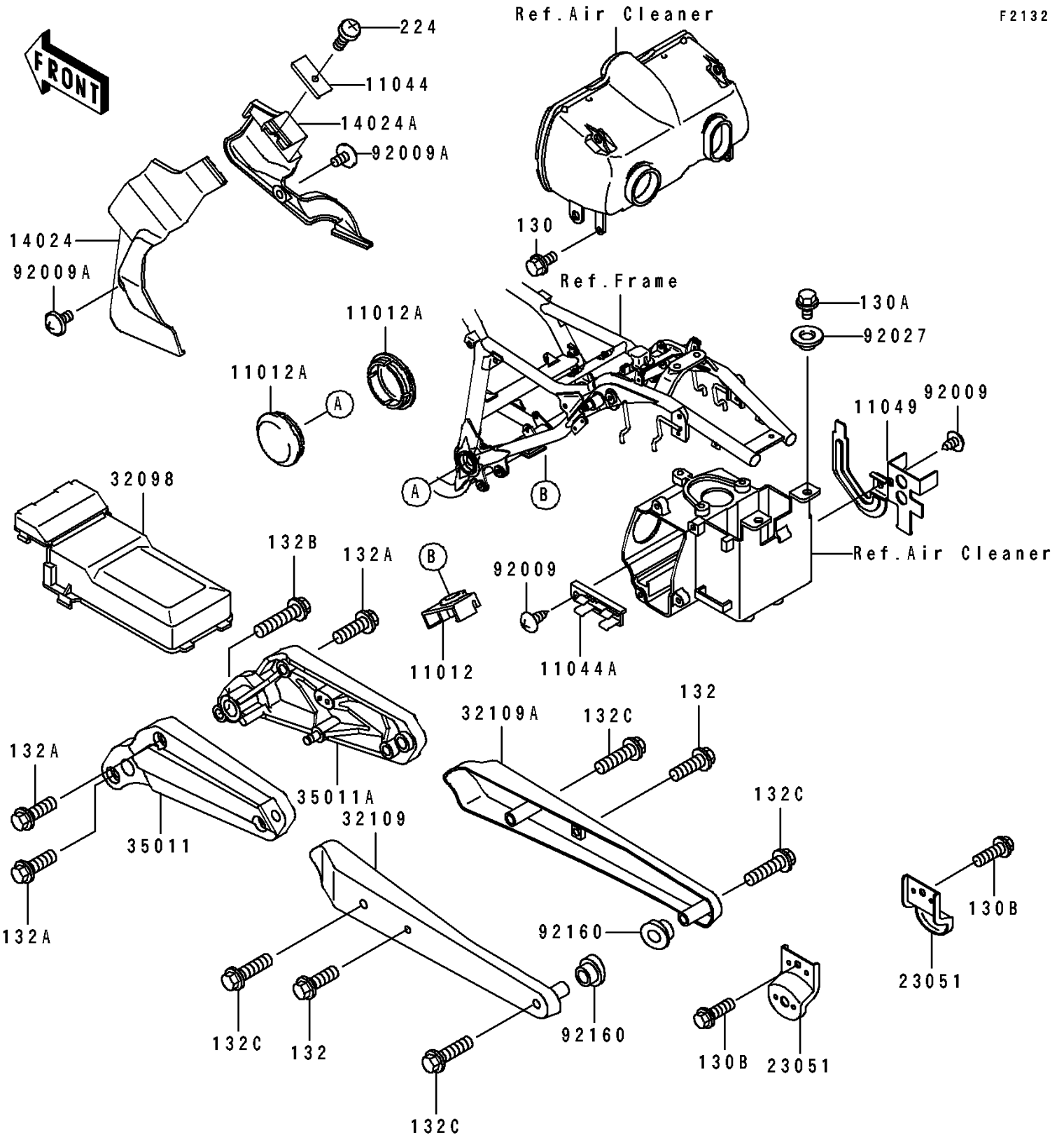


# 1996 Eliminator 600 PARTS DIAGRAM

Battery Case

F2132



# 1996 Eliminator 600 PARTS LIST

## Battery Case

ITEM NAME	PART NUMBER	QUANTITY
CAP (Ref # 11012)	11012-1554	1
CAP,SWING ARM (Ref # 11012A)	11012-1688	2
BRACKET,GUSSET COVER (Ref # 11044)	11044-1293	1
BRACKET,JUNCTION BOX (Ref # 11044A)	11044-1869	1
BRACKET,ELECTRIC BASE (Ref # 11049)	11049-1360	1
COVER,HEAD GUSSET,LH (Ref # 14024)	14024-1242	1
COVER,HEAD GUSSET,RH (Ref # 14024A)	14024-1243	1
BRACKET-SIGNAL LAMP,RR (Ref # 23051)	23051-1180	2
CASE-TOOL (Ref # 32098)	32098-1072	1
GRIP-FRAME,LH (Ref # 32109)	32109-1240	1
GRIP-FRAME,RH (Ref # 32109A)	32109-1241	1
STAY,MUFFLER,LH (Ref # 35011)	35011-1348	1
STAY,MUFFLER,RH (Ref # 35011A)	35011-1349	1
SCREW,TAPPING,6MM (Ref # 92009)	92009-1261	2
SCREW,6X10 (Ref # 92009A)	92009-1402	2
COLLAR,L=4.7 (Ref # 92027)	92027-122	2
DAMPER,FRAME GRIP (Ref # 92160)	92160-1535	2
BOLT-FLANGED,6X12 (Ref # 130)	130C0612	2
BOLT-FLANGED,6X10 (Ref # 130A)	130G0610	2
BOLT-FLANGED (Ref # 130B)	130J0612	2
BOLT-FLANGED-SMALL,8X16 (Ref # 132)	132E0816	2
BOLT-FLANGED-SMALL (Ref # 132A)	132E0825	3
BOLT-FLANGED-SMALL (Ref # 132B)	132E0835	1
BOLT-FLANGED-SMALL,8X45 (Ref # 132C)	132E0845	4
SCREW-PAN-WP-CROS (Ref # 224)	224C0516	1