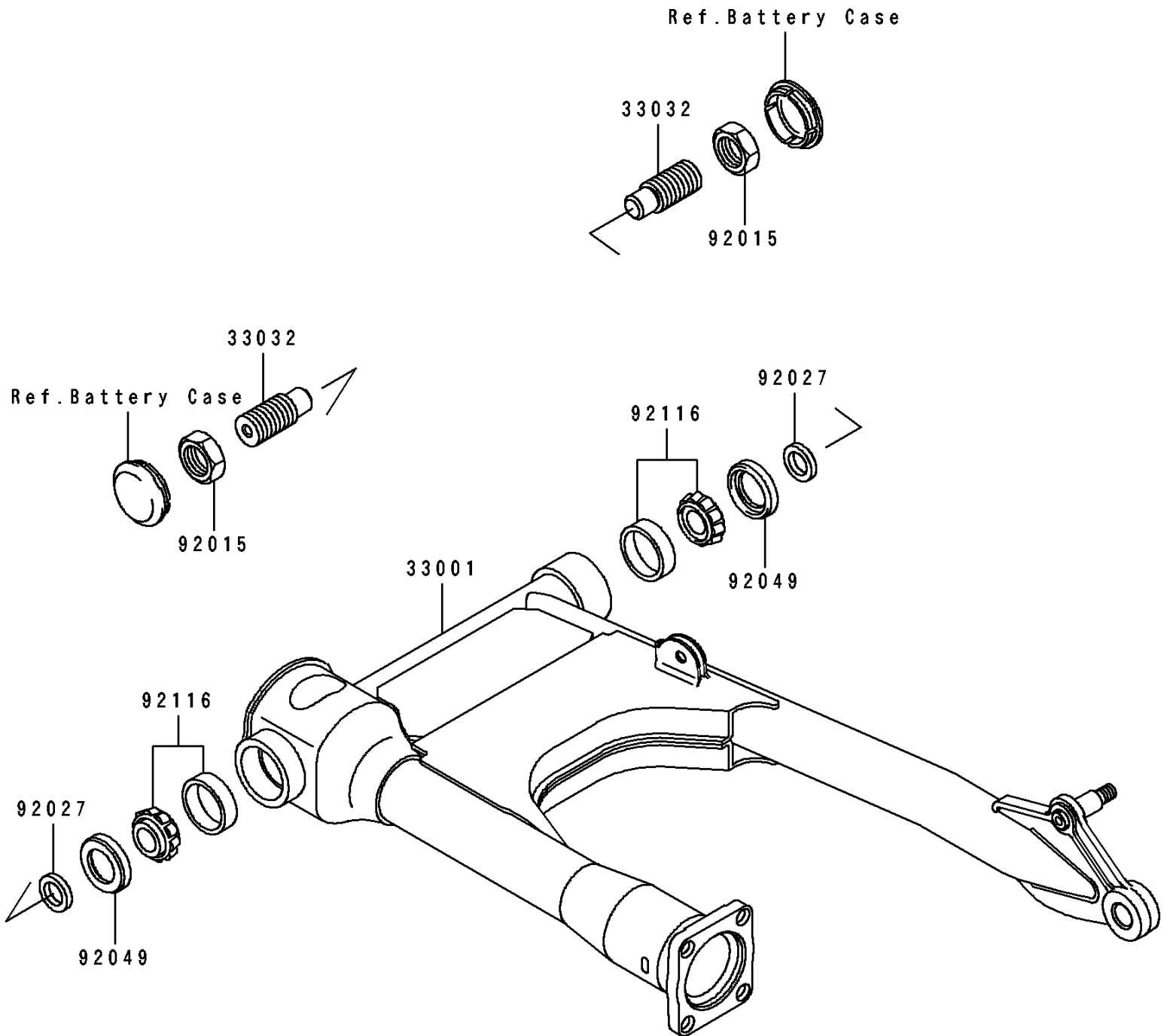


# 1997 Eliminator 600 PARTS DIAGRAM

Swingarm

F2141



# 1997 Eliminator 600 PARTS LIST

## Swingarm

ITEM NAME	PART NUMBER	QUANTITY
ARM-COMP-SWING,M.F.GRAY (Ref # 33001)	33001-1262-2P	1
SHAFT-SWING ARM (Ref # 33032)	33032-1034	2
NUT,22MM (Ref # 92015)	92015-1229	2
COLLAR,17X26X4.5 (Ref # 92027)	92027-1394	2
SEAL-OIL,26406 (Ref # 92049)	92049-1030	2
BEARING-ROLLER,4T30203E1 (Ref # 92116)	92116-1001	2