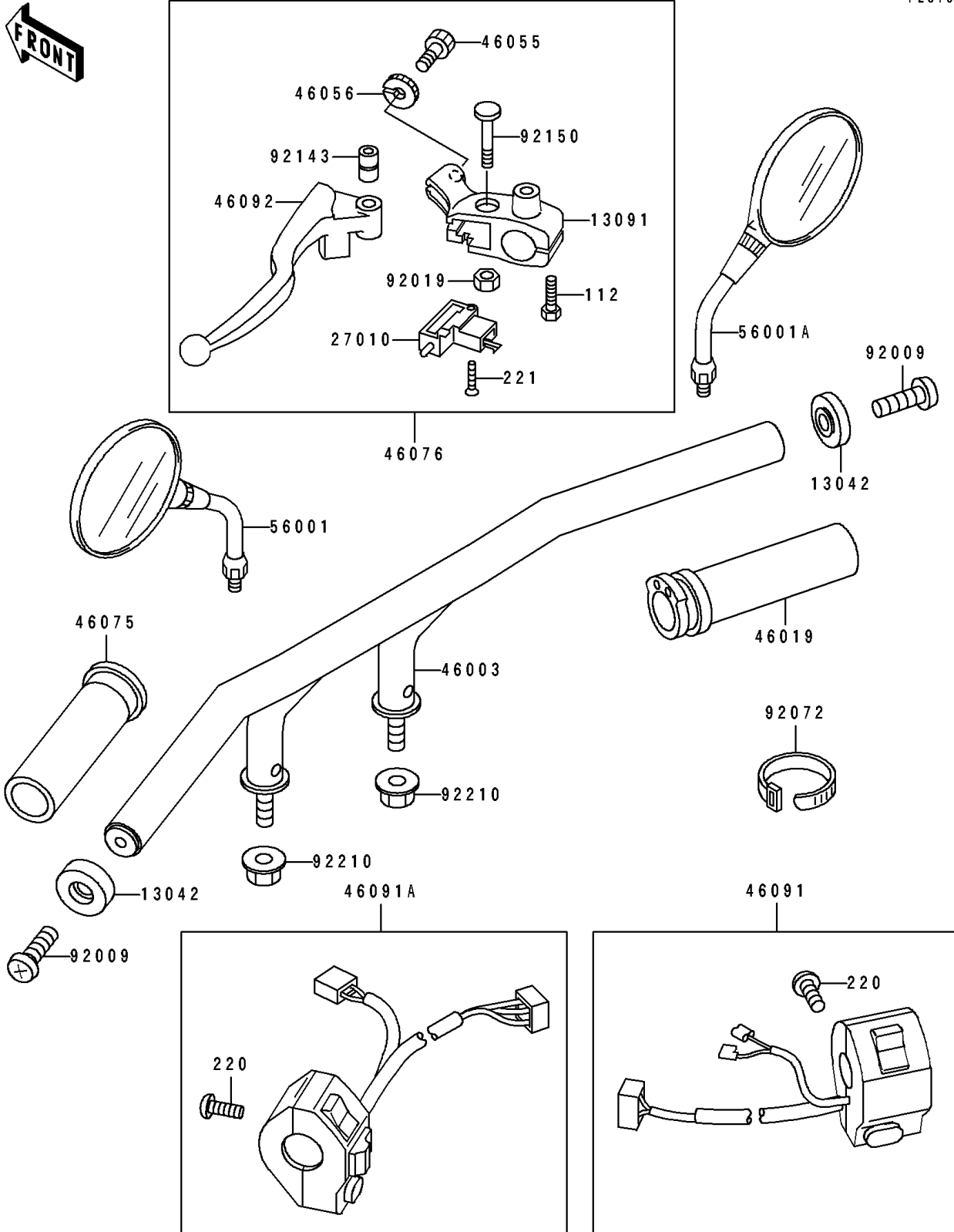


1996 Eliminator 600 PARTS DIAGRAM

Handlebar

F2310



1996 Eliminator 600 PARTS LIST

Handlebar

ITEM NAME	PART NUMBER	QUANTITY
WEIGHT,HANDLE (Ref # 13042)	13042-1068	2
HOLDER,CLUTCH LEVER,SILVER (Ref # 13091)	13091-1671	1
SWITCH,CLUTCH (Ref # 27010)	27010-1268	1
HANDLE (Ref # 46003)	46003-1303	1
GRIP-ASSY,THROTTLE (Ref # 46019)	46019-1065	1
SCREW,CABLE ADJUST,8MM (Ref # 46055)	46055-003	1
NUT,CABLE ADJUST LOCK (Ref # 46056)	46056-005	1
GRIP,LH (Ref # 46075)	46075-1074	1
LEVER-ASSY-GRIP,CLUTCH,SILVER (Ref # 46076)	46076-1174	1
HOUSING-ASSY-CONTROL,RH (Ref # 46091)	46091-1613	1
HOUSING-ASSY-CONTROL,LH (Ref # 46091A)	46091-1618	1
LEVER-GRIP,CLUTCH (Ref # 46092)	46092-1164	1
MIRROR-ASSY,LH (Ref # 56001)	56001-1411	1
MIRROR-ASSY,RH (Ref # 56001A)	56001-1412	1
SCREW,8X20 (Ref # 92009)	92009-1484	2
NUT,LOCK,6MM (Ref # 92019)	92019-008	1
BAND,L=140 (Ref # 92072)	92072-1293	4
COLLAR (Ref # 92143)	92143-1351	1
BOLT,LEVER SET (Ref # 92150)	92150-1330	1
NUT,LOCK,FLANGED,10MM (Ref # 92210)	92210-1080	2
BOLT-UPSET (Ref # 112)	112G0620	1
SCREW-PAN-CROS (Ref # 220)	220E0516	4
SCREW-CSK-CROS,3X20 (Ref # 221)	221B0320	1