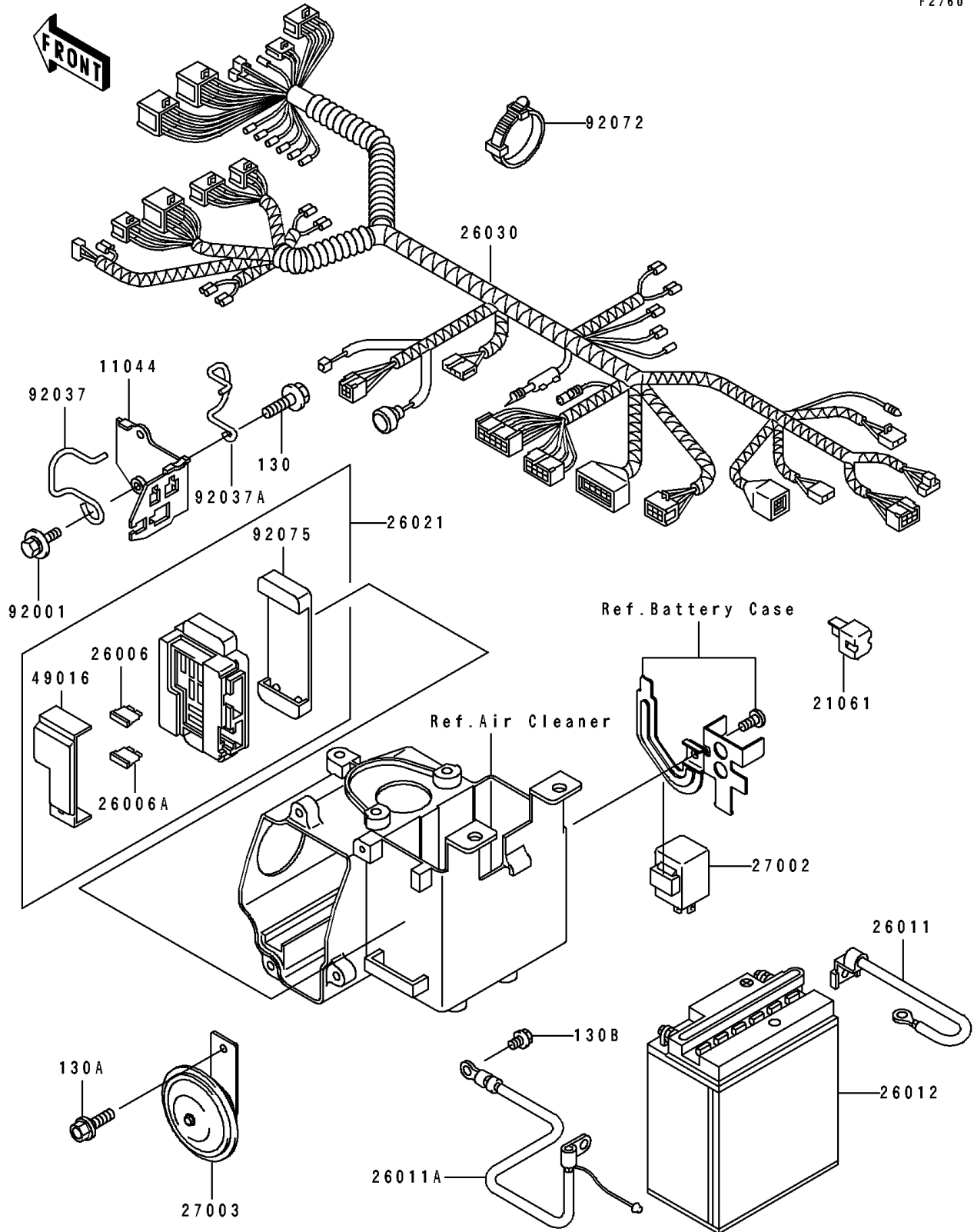


1996 Eliminator 600 PARTS DIAGRAM

Chassis Electrical Equipment

F2760



1996 Eliminator 600 PARTS LIST

Chassis Electrical Equipment

ITEM NAME	PART NUMBER	QUANTITY
BRACKET,COUPLER (Ref # 11044)	11044-1879	1
RECTIFIER (Ref # 21061)	21061-1003	2
FUSE,30A-G (Ref # 26006)	26006-1067	2
FUSE,10A-R (Ref # 26006A)	26006-1068	7
WIRE-LEAD,BATTERY(+) (Ref # 26011)	26011-1356	1
WIRE-LEAD,BATTERY(-) (Ref # 26011A)	26011-1632	1
BATTERY,12V 10AH,YB12A-AK (Ref # 26012)	26012-1163	1
JUNCTION BOX (Ref # 26021)	26021-1093	1
HARNESS,MAIN (Ref # 26030)	26030-1413	1
RELAY-ASSY,SIGNAL LAMP (Ref # 27002)	27002-1092	1
HORN (Ref # 27003)	27003-1336	1
COVER-SEAL,FUSE (Ref # 49016)	49016-1176	1
BOLT,6X20 (Ref # 92001)	92001-1765	1
CLAMP,LH (Ref # 92037)	92037-1756	1
CLAMP,HARNESS,RH (Ref # 92037A)	92037-1815	1
BAND,L=185 (Ref # 92072)	92072-1195	5
DAMPER,JUNCTION BOX (Ref # 92075)	92075-1688	1
BOLT-FLANGED,6X16 (Ref # 130)	130H0616	1
BOLT-FLANGED (Ref # 130A)	130J0612	1
BOLT-FLANGED,6X10 (Ref # 130B)	130V0610	1