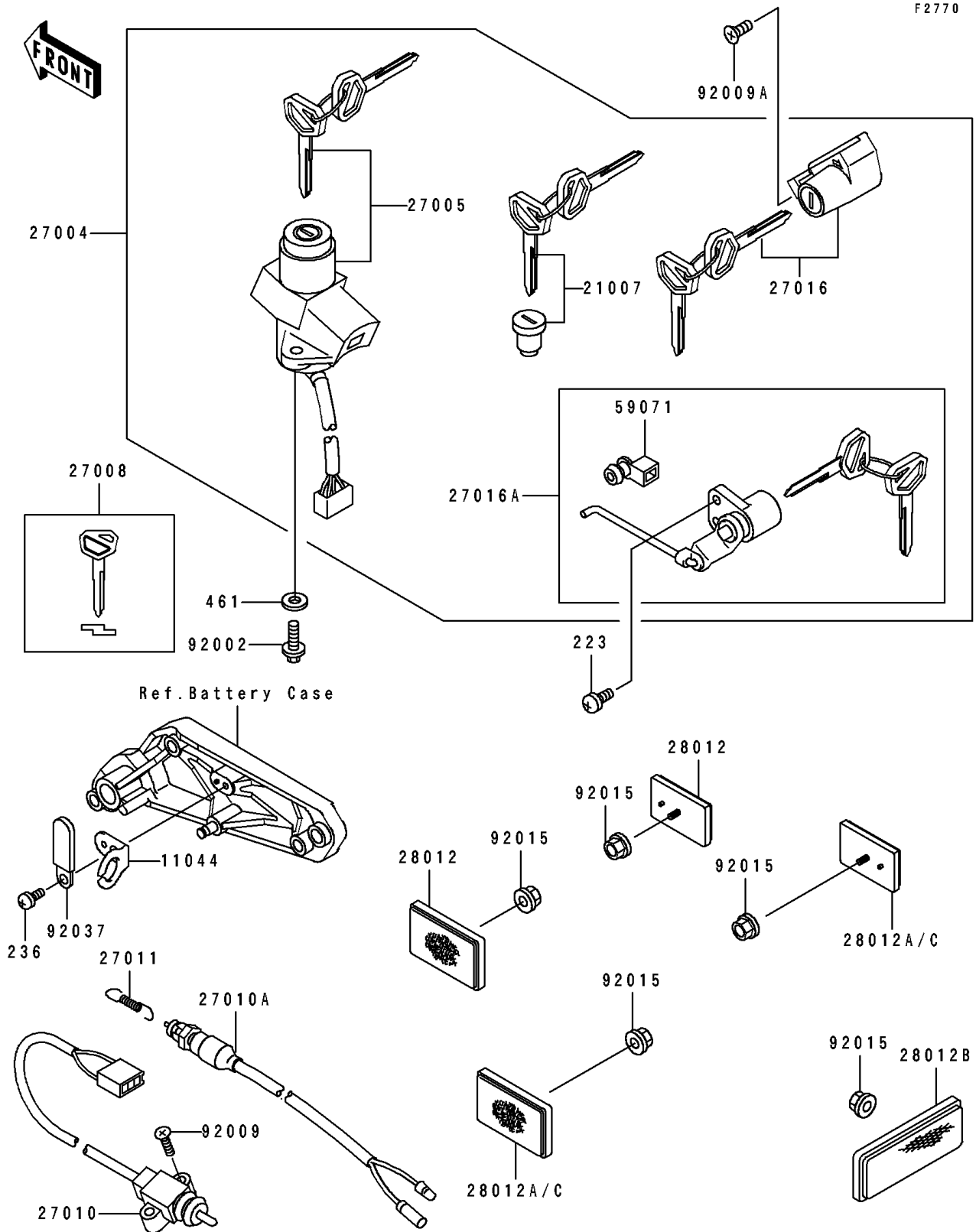


# 1996 Eliminator 600 PARTS DIAGRAM

Ignition Switch/Locks/Reflectors



# 1996 Eliminator 600 PARTS LIST

## Ignition Switch/Locks/Reflectors

ITEM NAME	PART NUMBER	QUANTITY
BRACKET,BRAKE SWITCH (Ref # 11044)	11044-1873	1
ROTOR,LOCK,TANK CAP (Ref # 21007)	21007-5039	1
SWITCH-ASSY (Ref # 27004)	27004-5472	1
SWITCH-ASSY-IGNITION (Ref # 27005)	27005-5104	1
KEY-LOCK,BLANK (Ref # 27008)	27008-1173	1
SWITCH,SIDE STAND (Ref # 27010)	27010-1186	1
SWITCH,BRAKE LAMP (Ref # 27010A)	27010-1337	1
SPRING (Ref # 27011)	27011-020	1
LOCK-ASSY,HELMET (Ref # 27016)	27016-5211	2
LOCK-ASSY,SEAT (Ref # 27016A)	27016-5220	1
REFLECTOR-REFLEX,FR (Ref # 28012)	28012-1009	2
REFLECTOR-REFLEX,RR (Ref # 28012A)	28012-1054	2
REFLECTOR-REFLEX (Ref # 28012B)	28012-1077	1
JOINT (Ref # 59071)	59071-1103	2
BOLT,TORX,6X16 (Ref # 92002)	92002-1333	2
SCREW,5X20 (Ref # 92009)	92009-1359	2
SCREW,5X12 (Ref # 92009A)	92009-1401	2
NUT,FLANGED,5MM (Ref # 92015)	92015-1259	5
CLAMP,WIRING HARNESS (Ref # 92037)	92037-1539	1
SCREW-PAN-WS-CROS (Ref # 223)	223B0510	2
SCREW-PAN-WSP-CROS (Ref # 236)	236B0514	1
WASHER-SPRING (Ref # 461)	461L0600	2