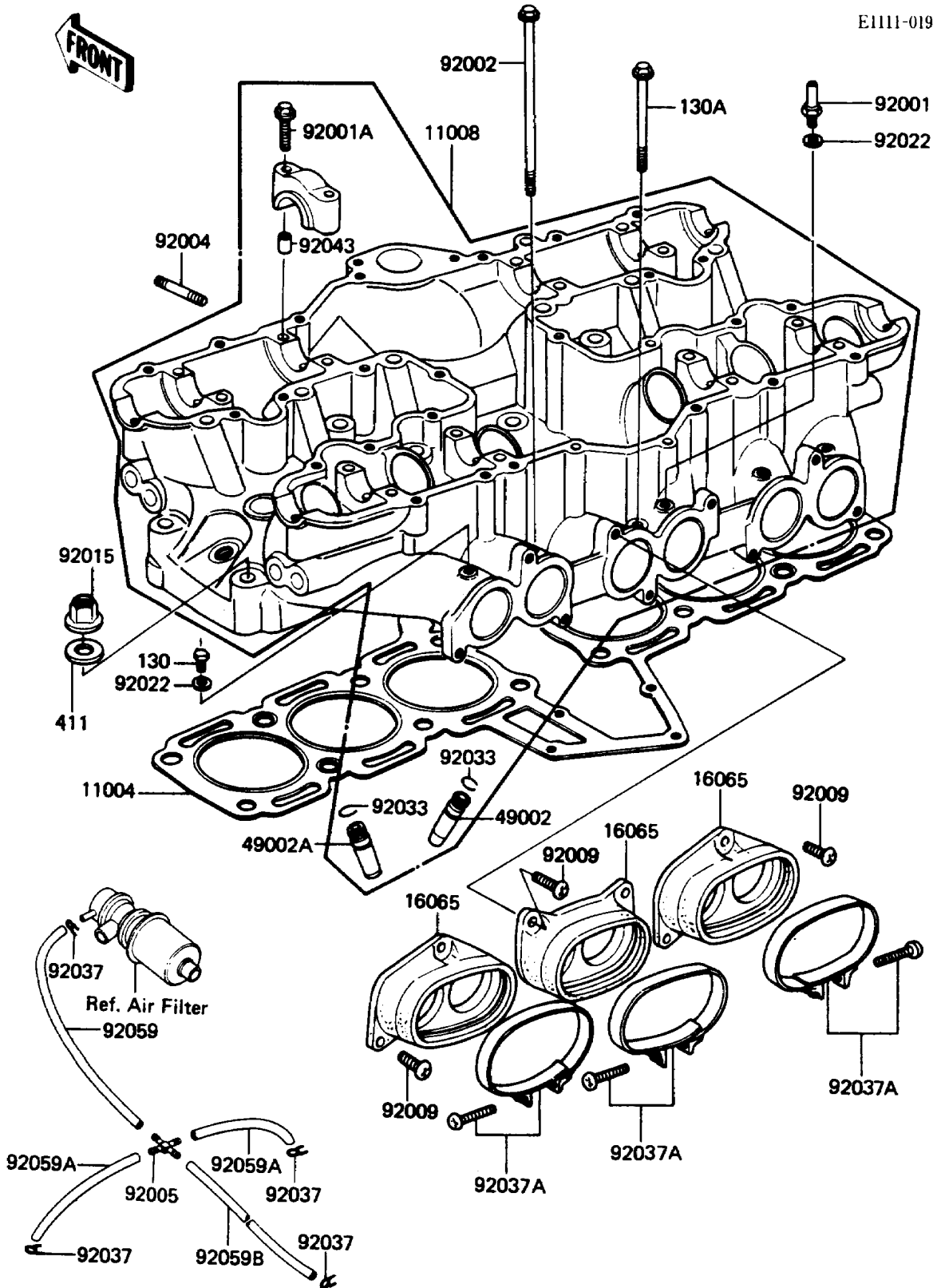


# 1987 Voyager PARTS DIAGRAM

Cylinder Head

E1111-0194



# 1987 Voyager PARTS LIST

## Cylinder Head

ITEM NAME	PART NUMBER	QUANTITY
GASKET-HEAD,CYLINDER (Ref # 11004)	11004-1014	1
HEAD-COMP-CYLINDER (Ref # 11008)	11008-1072	1
HOLDER-CARBURETOR (Ref # 16065)	16065-1016	3
GUIDE-VALVE,INTAKE (Ref # 49002)	12013-009	AR
GUIDE-VALVE,EXHAUST (Ref # 49002A)	49002-1002	AR
BOLT,VACUUM (Ref # 92001)	92001-1143	3
BOLT,VACUUM (Ref # 92001)	92001-1143	2
BOLT,FLANGED,6X45 (Ref # 92001A)	92003-092	16
BOLT,6X161 (Ref # 92002)	92002-1273	1
STUD,6X30 (Ref # 92004)	92004-1128	12
FITTING,TUBE,X-TYPE (Ref # 92005)	92005-1051	1
SCREW,6X16 (Ref # 92009)	92009-1334	9
NUT,FLANGED CAP,10MM (Ref # 92015)	92015-076	16
WASHER,6.1X12X1 (Ref # 92022)	92022-077	6
RING-SNAP (Ref # 92033)	92036-023	12
CLAMP,TUBE (Ref # 92037)	92037-072	4
CLAMP,CARBURETOR HOLDER (Ref # 92037A)	92037-1119	3
PIN,DOWEL,6.3X8X14 (Ref # 92043)	92042-007	16
TUBE,4X9X190 (Ref # 92059)	92059-1032	1
TUBE,4X9X100 (Ref # 92059A)	92059-1058	2
TUBE,4X9X340 (Ref # 92059B)	92059-1262	1
BOLT-FLANGED,6X8 (Ref # 130)	130N0608	3
BOLT-FLANGED,6X8 (Ref # 130)	130N0608	4
BOLT-FLANGED (Ref # 130A)	130Y0665	3
WASHER-PLAIN,10MM (Ref # 411)	411B1000	16