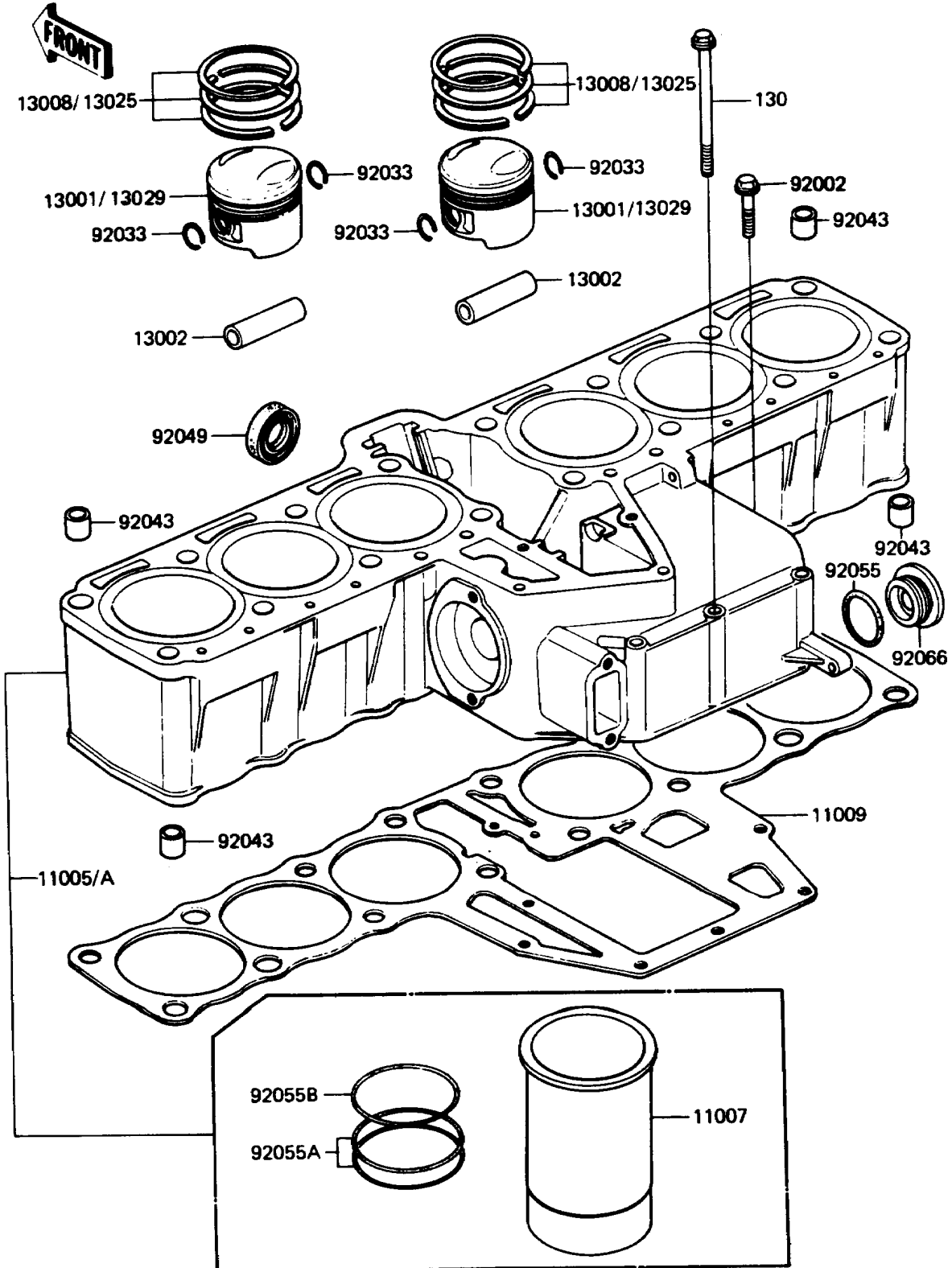


1988 Voyager PARTS DIAGRAM

Cylinder/Piston(s)

E1120-0026



1988 Voyager PARTS LIST

Cylinder/Piston(s)

ITEM NAME	PART NUMBER	QUANTITY
CYLINDER-ENGINE (Ref # 11005)	11005-1403	1
CYLINDER-ENGINE (Ref # 11005A)	11005-1405	1
LINER-CYLINDER (Ref # 11007)	11007-1006	6
GASKET,CYLINDER BASE (Ref # 11009)	11009-1101	1
PISTON-ENGINE,STD (Ref # 13001)	13001-1120	6
PIN-PISTON (Ref # 13002)	13002-032	6
RING-SET-PISTON,STD (Ref # 13008)	13008-5059	6
RING-SET-PISTON L,O/S 0.50 (Ref # 13025)	13025-5025	6
PISTON-ENGINE L,O/S,0.50 (Ref # 13029)	13029-1053	6
BOLT,6X28 (Ref # 92002)	92002-1105	1
RING-SNAP (Ref # 92033)	92036-005	12
PIN,DOWEL,11X14X12.5 (Ref # 92043)	92042-028	4
SEAL-OIL,TC17317 (Ref # 92049)	92049-1028	1
RING-O (Ref # 92055)	92055-091	1
RING-O,67MM (Ref # 92055A)	92055-1032	12
RING-O,67.5MM (Ref # 92055B)	92055-1035	6
PLUG,RELEASE,30X8 (Ref # 92066)	92067-024	1
BOLT-FLANGED (Ref # 130)	130Y0685	3