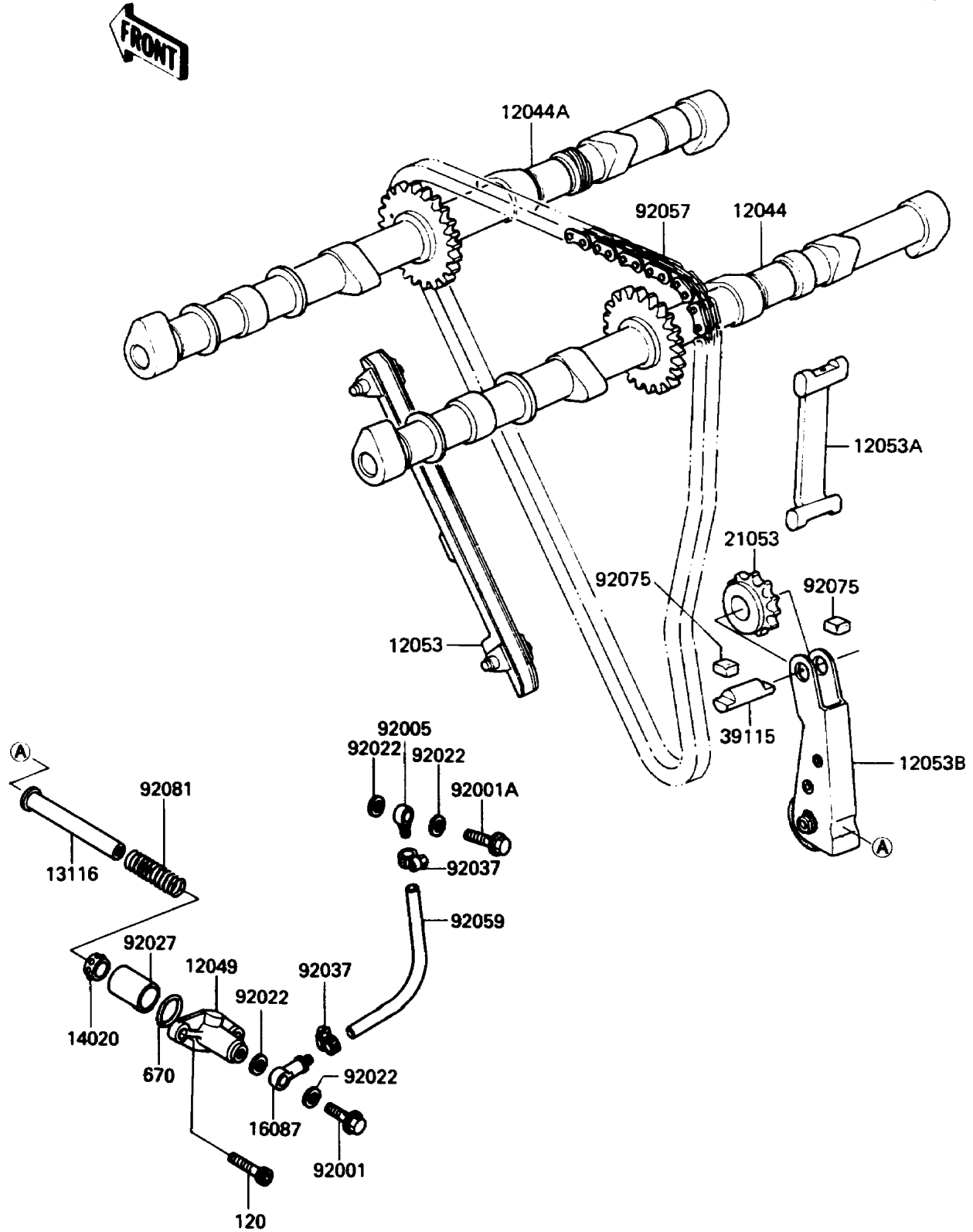


# 1988 Voyager PARTS DIAGRAM

Camshaft(s)/Tensioner

E1230-0065



# 1988 Voyager PARTS LIST

Camshaft(s)/Tensioner

| ITEM NAME                                | PART NUMBER | QUANTITY |
|--|-------------|----------|
| CAMSHAFT-VALVE,INTAKE (Ref # 12044)      | 12044-1060  | 1        |
| CAMSHAFT-VALVE,EXHAUST (Ref # 12044A)    | 12044-1061  | 1        |
| TENSIONER,CAM CHAIN (Ref # 12049)        | 12049-1052  | 1        |
| GUIDE-CHAIN,CAM,FR (Ref # 12053)         | 12053-1024  | 1        |
| GUIDE-CHAIN,CAM,RR (Ref # 12053A)        | 12053-1025  | 1        |
| GUIDE-CHAIN,TENSIONER (Ref # 12053B)     | 12053-1028  | 1        |
| ROD-PUSH,TENSIONER (Ref # 13116)         | 13116-1113  | 1        |
| RETAINER,TENSIONER (Ref # 14020)         | 14020-1002  | 1        |
| VALVE-CHECK (Ref # 16087)                | 16087-1051  | 1        |
| SPROCKET-ASSY,CAM CHAIN (Ref # 21053)    | 21053-1004  | 1        |
| SHAFT-IDLER,GUIDE ROLLAR (Ref # 39115)   | 12052-005   | 1        |
| BOLT,BANJO,L=13.5 (Ref # 92001)          | 92060-008   | 1        |
| BOLT,BANJO,L=16 (Ref # 92001A)           | 92060-013   | 1        |
| FITTING,BANJO (Ref # 92005)              | 92061-009   | 1        |
| WASHER,6.1X12X1 (Ref # 92022)            | 92022-077   | 4        |
| COLLAR,TENSIONER (Ref # 92027)           | 92027-1273  | 1        |
| CLAMP,TUBE (Ref # 92037)                 | 92037-1619  | 2        |
| CHAIN,CAMSHAFT,75-010X158L (Ref # 92057) | 92057-1018  | 1        |
| TUBE,5X10X110 (Ref # 92059)              | 92059-1520  | 1        |
| DAMPER,IDLER SHAFT (Ref # 92075)         | 92075-232   | 2        |
| SPRING,TENSIONER (Ref # 92081)           | 92081-1105  | 1        |
| BOLT-SOCKET (Ref # 120)                  | 120Z0625    | 2        |
| O RING,22MM (Ref # 670)                  | 670B2022    | 1        |