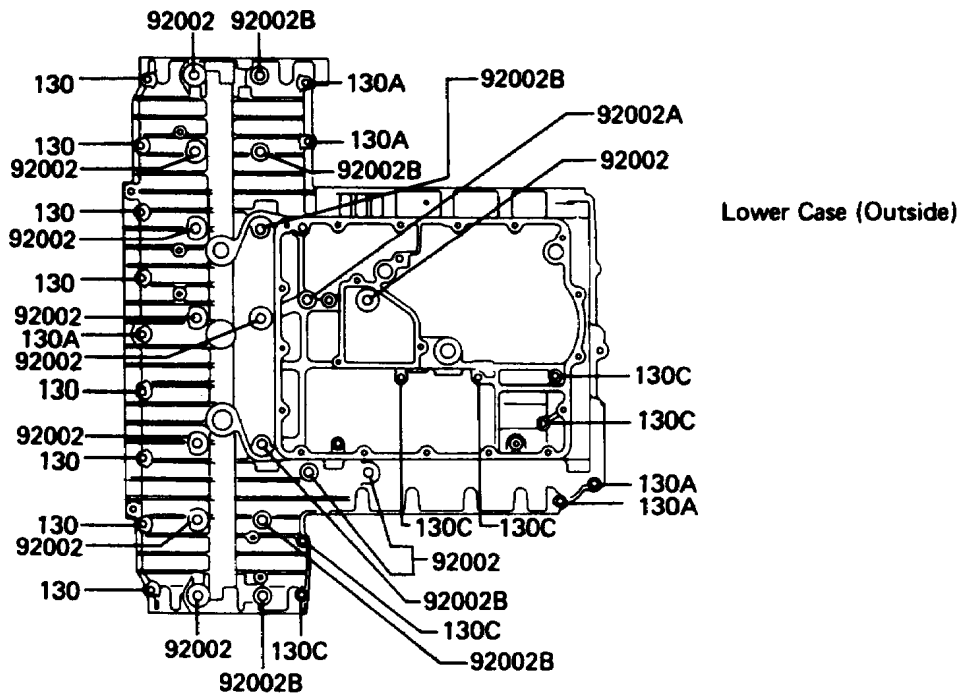
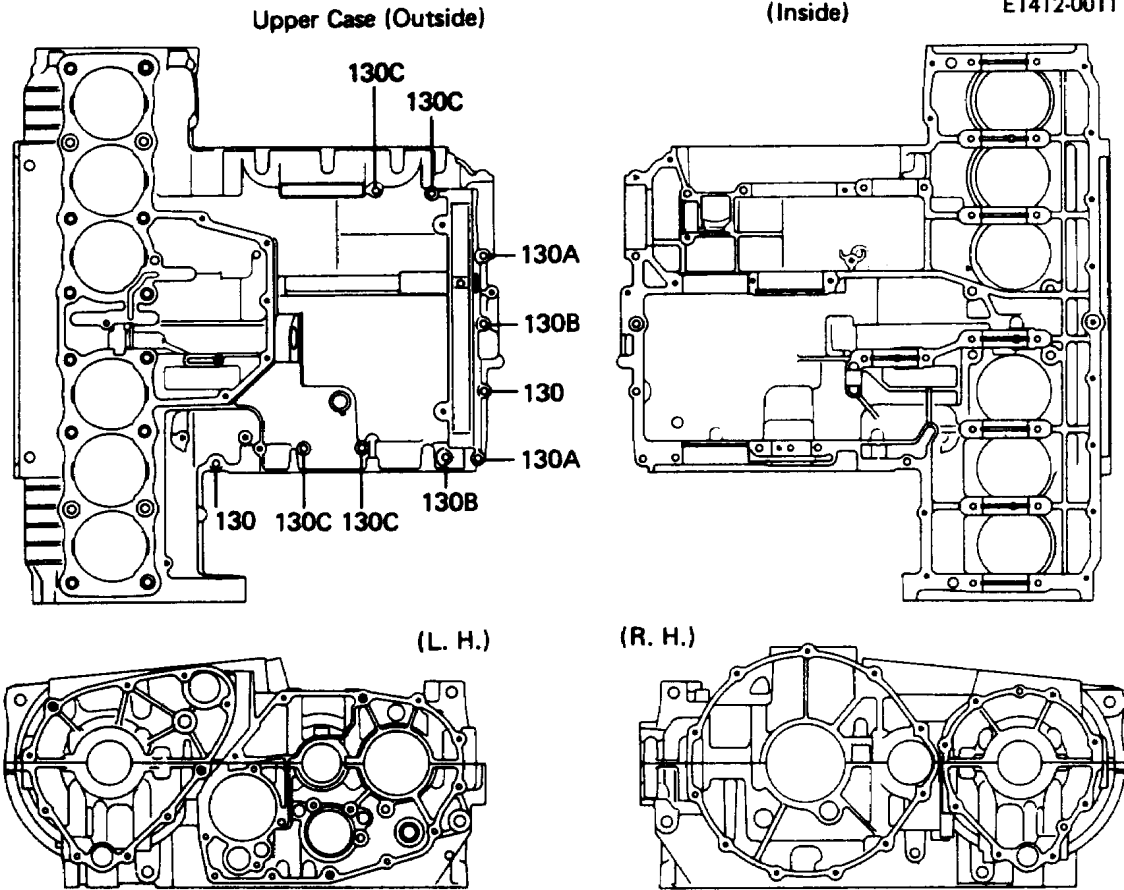


1988 Voyager PARTS DIAGRAM

Crankcase Bolt Pattern

E1412-0011



1988 Voyager PARTS LIST

Crankcase Bolt Pattern

| ITEM NAME | PART NUMBER | QUANTITY |
|---------------------------|-------------|----------|
| BOLT,8X95 (Ref # 92002) | 92002-1077 | 11 |
| BOLT,8X130 (Ref # 92002A) | 92002-1272 | 1 |
| BOLT,8X105 (Ref # 92002B) | 92002-1274 | 6 |
| BOLT-FLANGED (Ref # 130) | 130Y0640 | 10 |
| BOLT-FLANGED (Ref # 130A) | 130Y0650 | 7 |
| BOLT-FLANGED (Ref # 130B) | 130Y0665 | 2 |
| BOLT-FLANGED (Ref # 130C) | 130Y0685 | 10 |