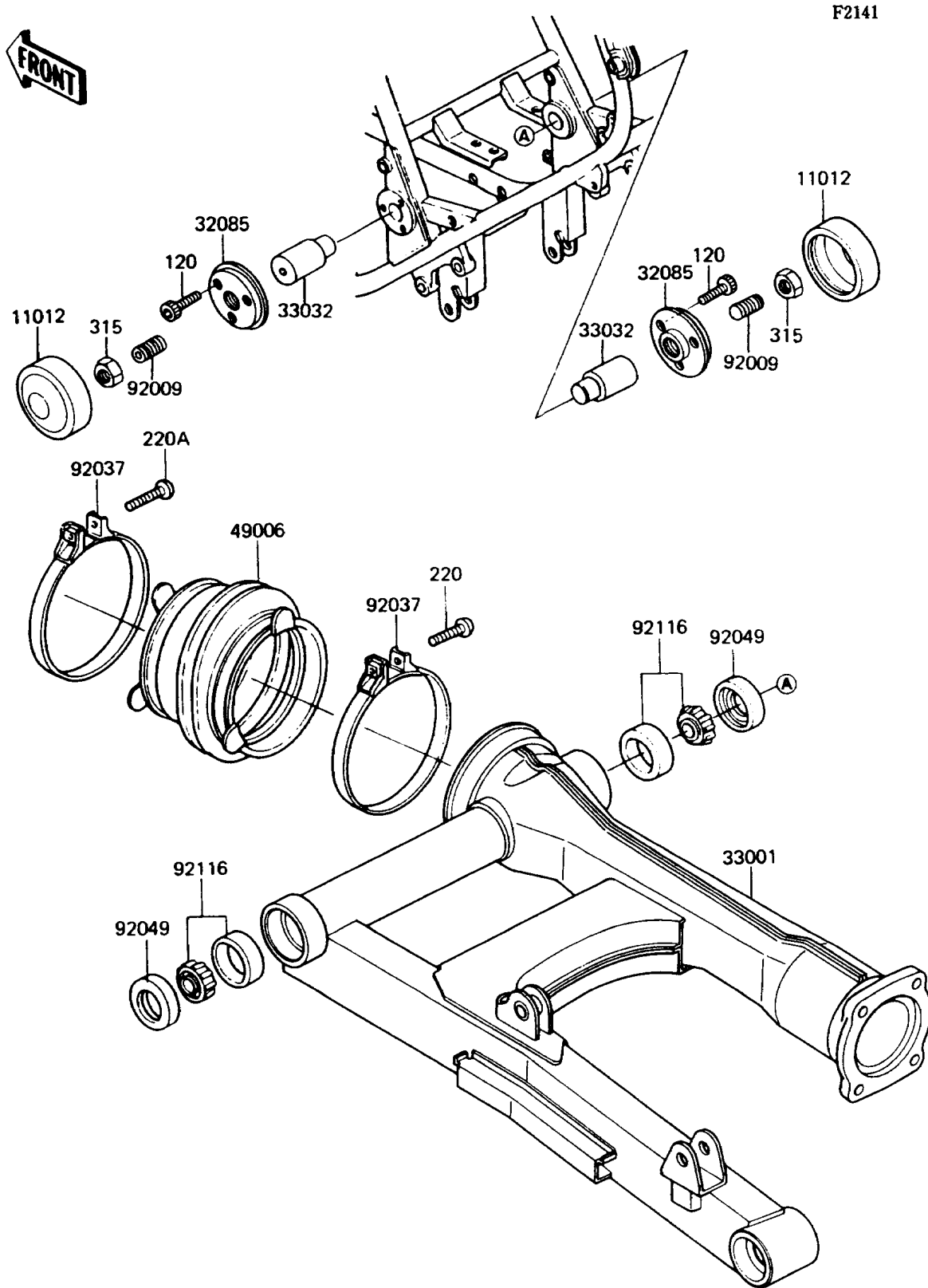


# 1987 Voyager PARTS DIAGRAM

Swingarm



# 1987 Voyager PARTS LIST

## Swingarm

ITEM NAME	PART NUMBER	QUANTITY
CAP,SWING ARM (Ref # 11012)	11012-1282	2
STOPPER,SWING ARM (Ref # 32085)	32085-1116	2
ARM-COMP-SWING (Ref # 33001)	33001-1162	1
SHAFT-SWING ARM (Ref # 33032)	33032-1036	2
BOOT,SWING ARM (Ref # 49006)	49006-1020	1
SCREW,SET,14X22 (Ref # 92009)	92009-1087	2
CLAMP,SWING ARM BOOT (Ref # 92037)	92037-1097	2
SEAL-OIL,26406 (Ref # 92049)	92049-1030	2
BEARING-ROLLER,4T30203E1 (Ref # 92116)	92116-1001	2
BOLT-SOCKET,8X20 (Ref # 120)	120S0820	6
SCREW-PAN-CROS (Ref # 220)	220B0420	1
SCREW-PAN-CROS (Ref # 220A)	220B0430	1
NUT-HEX-FINE,14MM (Ref # 315)	315B1400	2