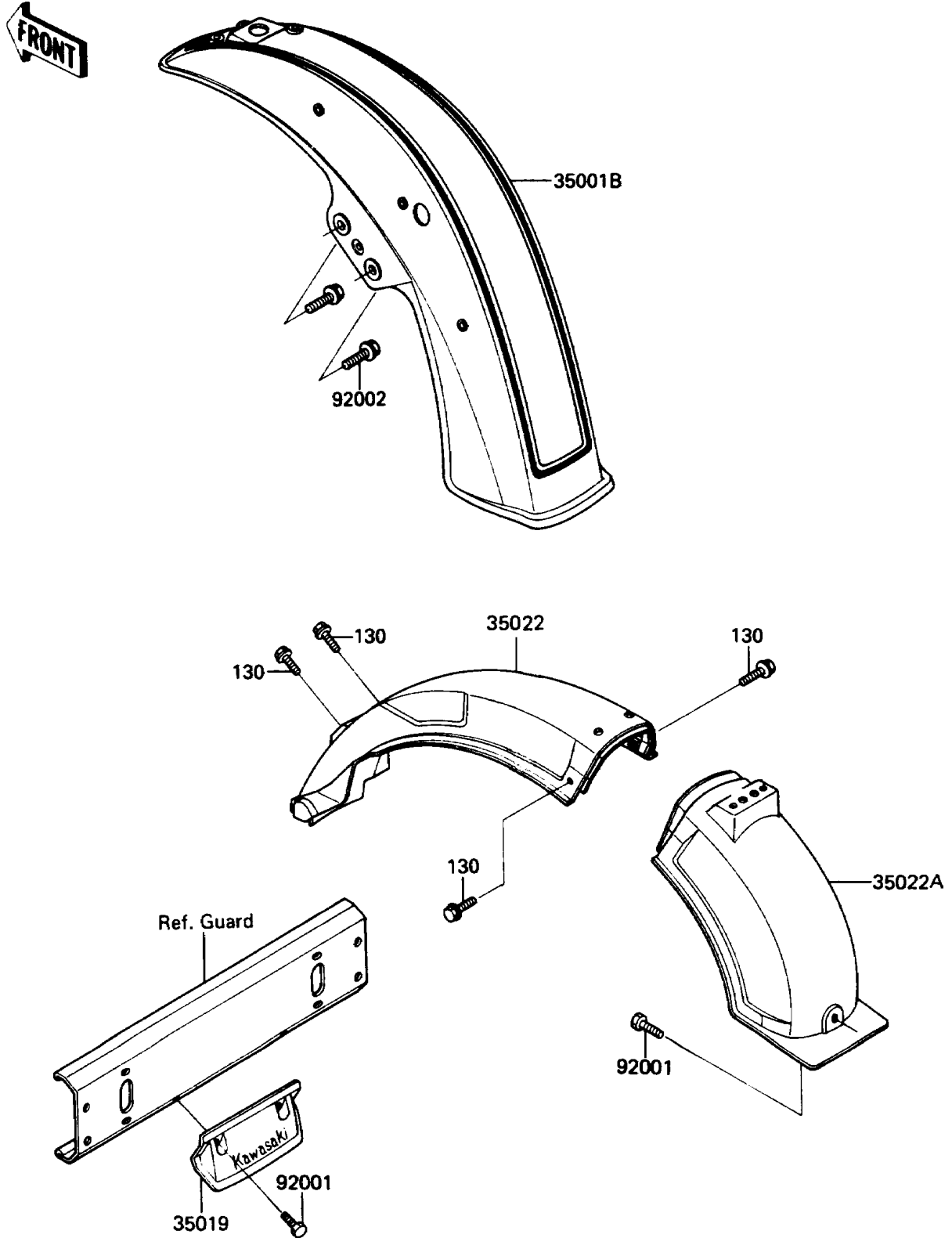


1987 Voyager PARTS DIAGRAM

Fenders

F2170-0229



1987 Voyager PARTS LIST

Fenders

ITEM NAME	PART NUMBER	QUANTITY
FENDER-ASSY-FRONT,RED/GRAYSTON (Ref # 35001B)	35001-5036-T1	1
FLAP,REAR GUARD (Ref # 35019)	35019-1108	1
FENDER-COMP-REAR (Ref # 35022)	35022-1116	1
FENDER-COMP-REAR,RR,BLACK (Ref # 35022A)	35022-1117-6Z	1
BOLT (Ref # 92001)	92001-1825	3
BOLT,FLANGED,8X16 (Ref # 92002)	92002-1200	4
BOLT-FLANGED,6X14 (Ref # 130)	130D0614	4