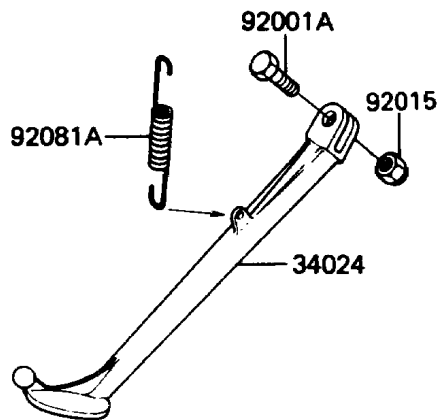
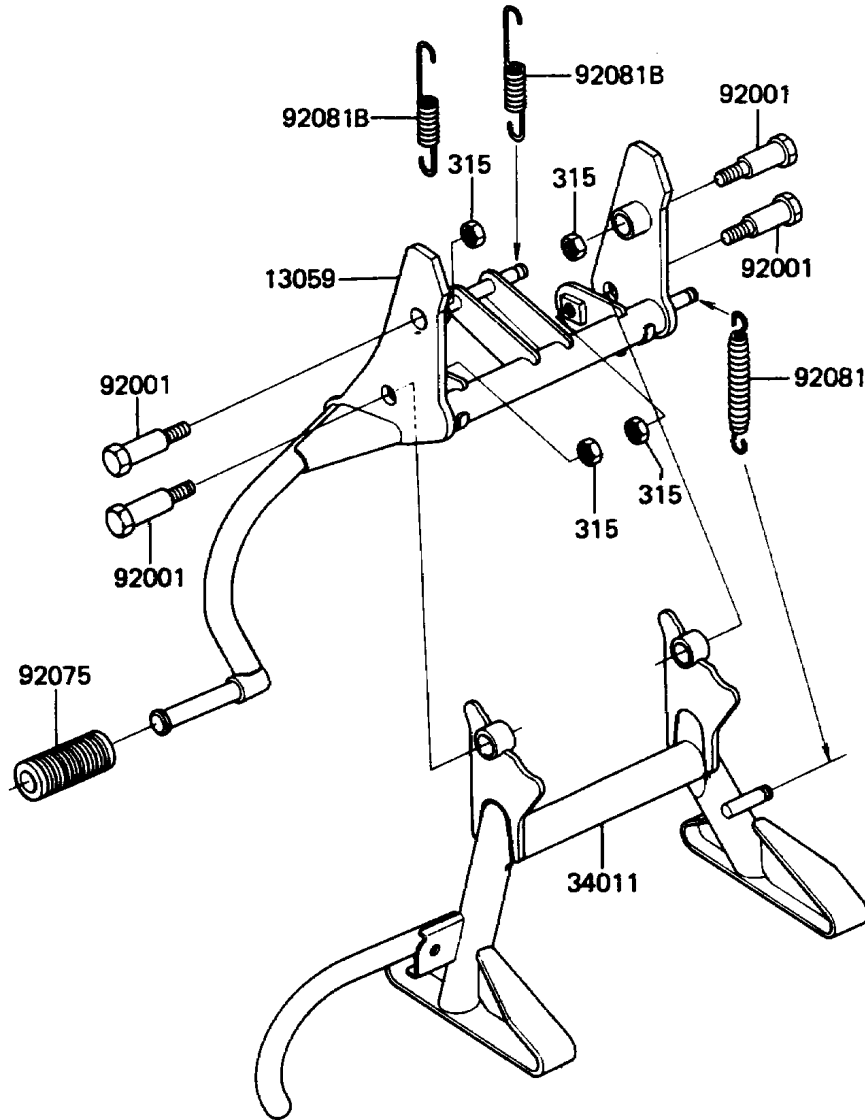


1988 Voyager PARTS DIAGRAM

Stand(s)

F2190-0145



1988 Voyager PARTS LIST

Stand(s)

ITEM NAME	PART NUMBER	QUANTITY
LEVER-KICK,CENTER STAND (Ref # 13059)	13059-1102	1
STAND-CENTER (Ref # 34011)	34011-1103	1
STAND-SIDE (Ref # 34024)	34024-1158	1
BOLT,CENTER STAND (Ref # 92001)	92001-1848	4
BOLT,12X43 (Ref # 92001A)	92001-1984	1
NUT,LOCK,12MM,BLACK (Ref # 92015)	92015-1190	1
DAMPER,PEDAL (Ref # 92075)	13063-002	1
SPRING,CNT STAND (Ref # 92081)	34023-012	1
SPRING,STAND (Ref # 92081A)	34025-005	1
SPRING,STAND (Ref # 92081B)	92081-1657	2
NUT-HEX-FINE,10MM (Ref # 315)	315B1000	4