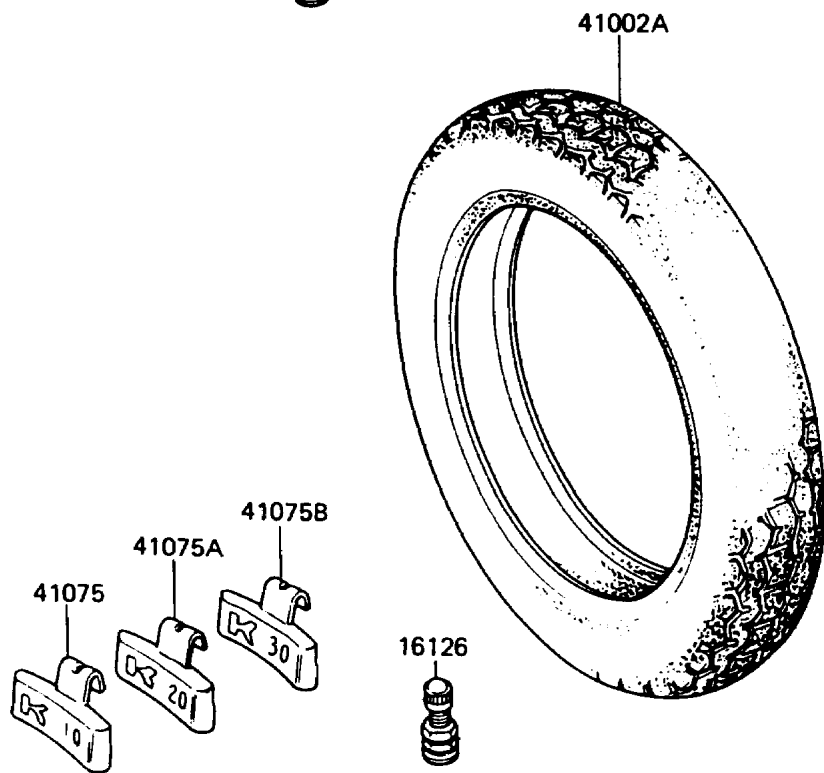
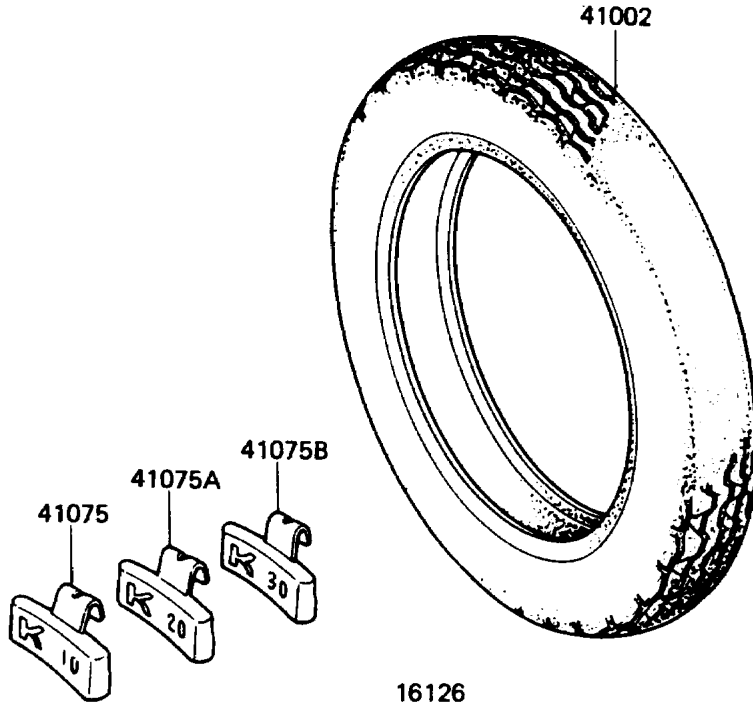


# 1988 Voyager PARTS DIAGRAM

Tires

F2210-0066



# 1988 Voyager PARTS LIST

## Tires

ITEM NAME	PART NUMBER	QUANTITY
VALVE,TIRE (Ref # 16126)	16126-1136	2
TIRE,FR,MR90-18 F11 (D) (Ref # 41002)	41002-1344	1
TIRE,RR,MU90-16 K427M(D) (Ref # 41002A)	41002-1345	1
BALANCER-WHEEL,10G (Ref # 41075)	41075-1011	AR
BALANCER-WHEEL,20G (Ref # 41075A)	41075-1012	AR
BALANCER-WHEEL,30G (Ref # 41075B)	41075-1013	AR