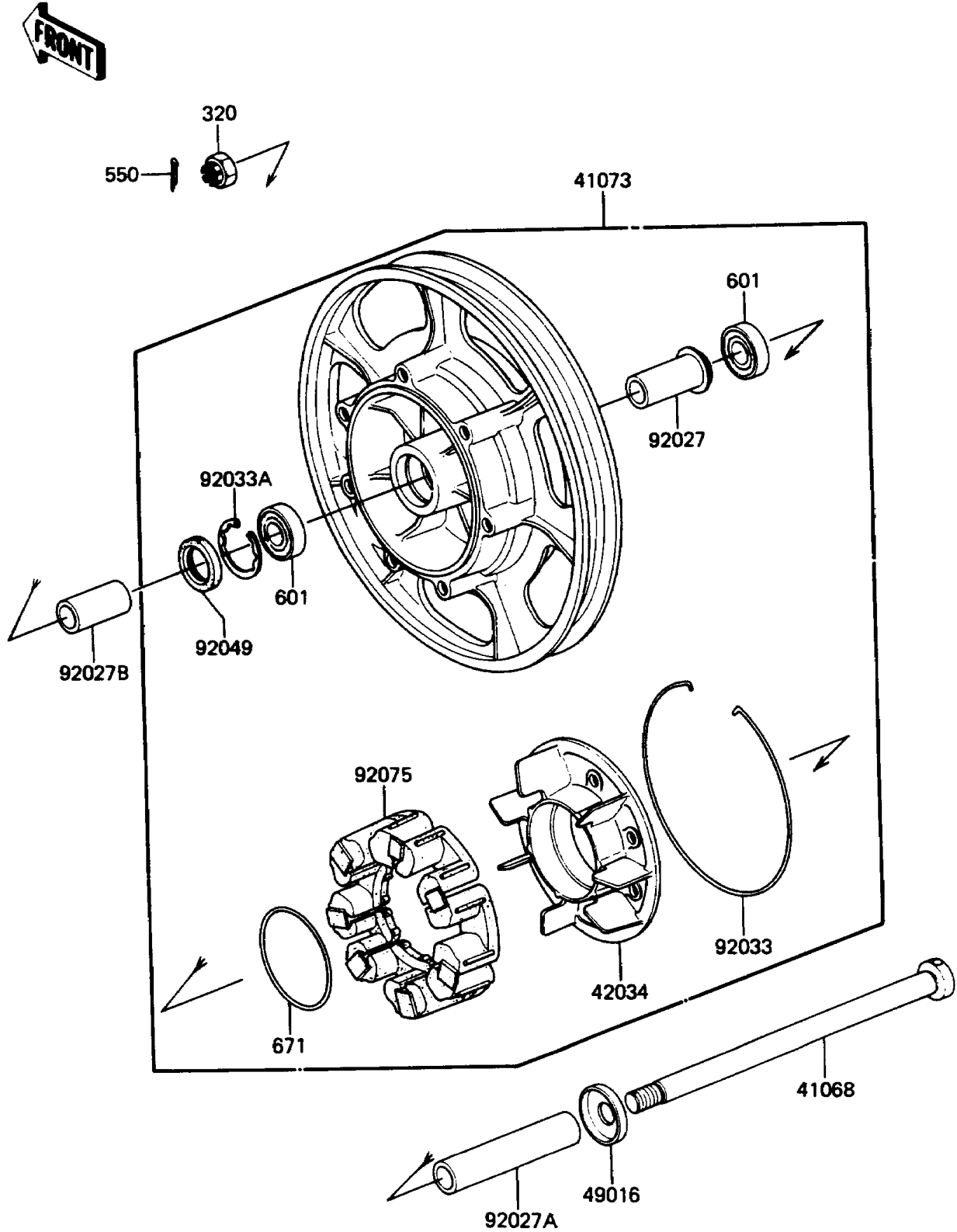


# 1988 Voyager PARTS DIAGRAM

Rear Wheel/Chain

F2240-0147



# 1988 Voyager PARTS LIST

## Rear Wheel/Chain

ITEM NAME	PART NUMBER	QUANTITY
AXLE,RR,20X316 (Ref # 41068)	41068-1124	1
WHEEL-ASSY,RR,SOLID,NO2 GOLD (Ref # 41073)	41073-1211-F6	1
COUPLING,RR HUB (Ref # 42034)	42034-1011	1
COVER-SEAL (Ref # 49016)	49016-1019	1
COLLAR,REAR HUB,L=74 (Ref # 92027)	92027-1552	1
COLLAR,20.2X28X89 (Ref # 92027A)	92027-1553	1
COLLAR,20X28X42 (Ref # 92027B)	92027-1554	1
RING-SNAP (Ref # 92033)	92033-1019	1
RING-SNAP,52MM (Ref # 92033A)	92033-1043	1
SEAL-OIL,28X52X5 (Ref # 92049)	92049-1061	1
DAMPER,SHOCK,RR HUB (Ref # 92075)	92075-1121	1
NUT-CASTLE,18MM (Ref # 320)	320B1800	1
PIN-COTTER,4.0X35 (Ref # 550)	550D4035	1
BEARING-BALL,#6304ZZC3 (Ref # 601)	601B6304ZZ	2
O RING,80MM (Ref # 671)	671B2580	1