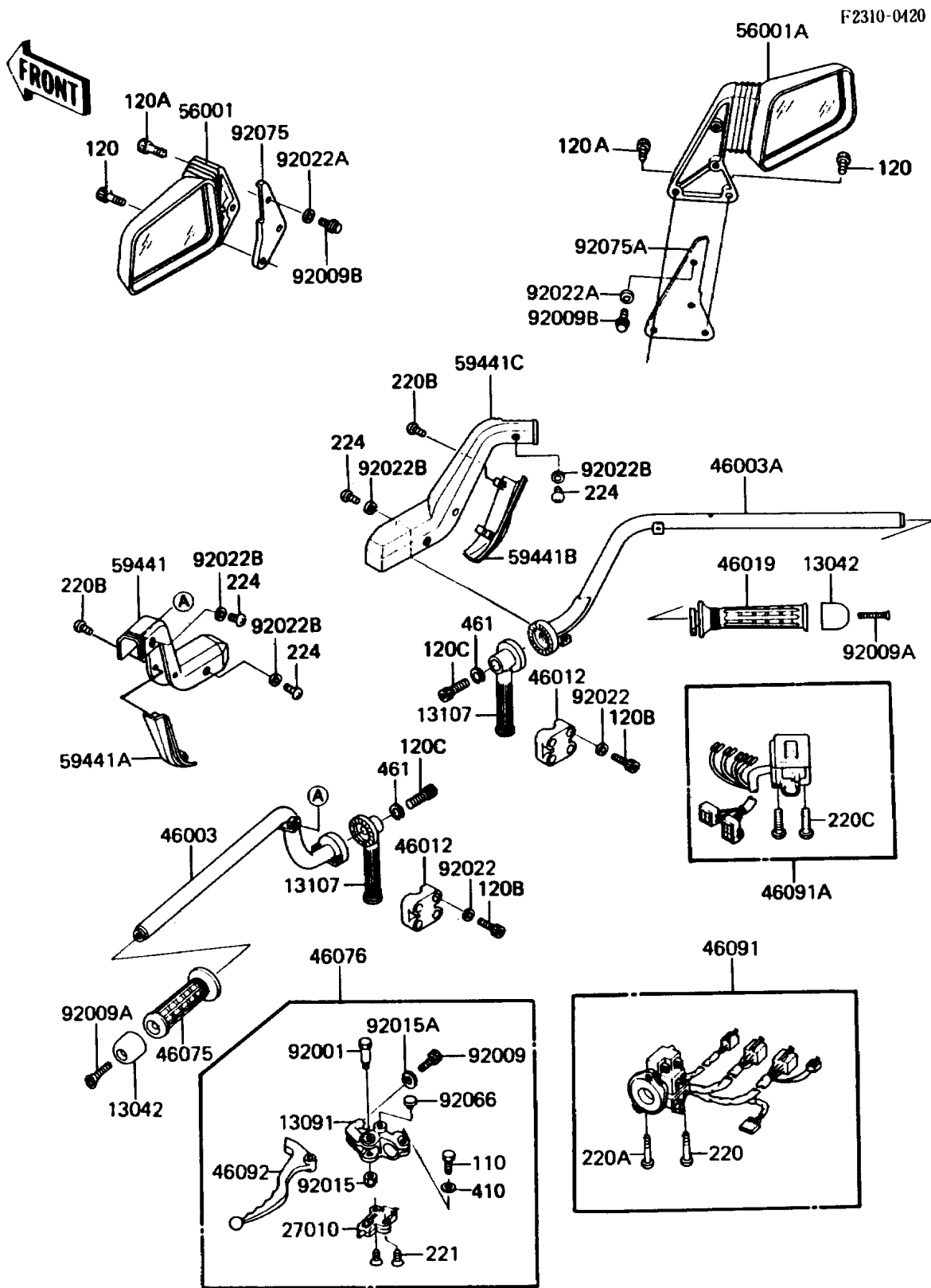


1988 Voyager PARTS DIAGRAM

Handlebar



1988 Voyager PARTS LIST

Handlebar

ITEM NAME	PART NUMBER	QUANTITY
WEIGHT,HANDLE (Ref # 13042)	13042-1051	2
HOLDER,CLUTCH LEVER (Ref # 13091)	13091-1254	1
SHAFT,HANDLE (Ref # 13107)	13107-1040	2
SWITCH,CLUTCH,BLACK (Ref # 27010)	27010-1094	1
HANDLE,LH (Ref # 46003)	46003-1131	1
HANDLE,RH (Ref # 46003A)	46003-1264	1
HOLDER-HANDLE (Ref # 46012)	46012-1039	2
GRIP-ASSY,THROTTLE (Ref # 46019)	46019-1066	1
GRIP,LH (Ref # 46075)	46075-1036	1
LEVER-ASSY-GRIP (Ref # 46076)	46076-1042	1
HOUSING-ASSY-CONTROL,LH (Ref # 46091)	46091-1420	1
HOUSING-ASSY-CONTROL,RH (Ref # 46091A)	46091-1468	1
LEVER-GRIP,CLUTCH (Ref # 46092)	46092-1101	1
MIRROR-ASSY,LH (Ref # 56001)	56001-1138	1
MIRROR-ASSY,RH (Ref # 56001A)	56001-1139	1
COVER-HANDLE,LH,UPP (Ref # 59441)	59441-1013	1
COVER-HANDLE,LH,LWR (Ref # 59441A)	59441-1014	1
COVER-HANDLE,RH,LWR (Ref # 59441B)	59441-1017	1
COVER-HANDLE,RH,UPP (Ref # 59441C)	59441-1078	1
BOLT,CLUTCH LEVER,BLACK (Ref # 92001)	92001-1548	1
SCREW,CABLE ADJUST,8MM,BLACK (Ref # 92009)	92009-1134	1
SCREW,8X45 (Ref # 92009A)	92009-1257	2
SCREW,6X14 (Ref # 92009B)	92009-1288	2
NUT,LOCK,6MM,BLACK (Ref # 92015)	92015-1191	1
NUT,CABLE ADJUST LOCK,BLACK (Ref # 92015A)	92015-1197	1
WASHER,9X15.5X2 (Ref # 92022)	92022-1401	8
WASHER,MIRROR ASSY (Ref # 92022A)	92022-1505	2
WASHER,3.3X8X0.5 (Ref # 92022B)	92022-1516	6
PLUG,9.5X8,POLYETHYLENE (Ref # 92066)	92066-1077	1

1988 Voyager PARTS LIST

Handlebar

ITEM NAME	PART NUMBER	QUANTITY
DAMPER,MIRROR,LH (Ref # 92075)	92075-1457	1
DAMPER,MIRROR,RH (Ref # 92075A)	92075-1458	1
BOLT,6X22,BLACK (Ref # 110)	110C0622	1
BOLT-SOCKET,6X30,BLACK (Ref # 120)	120S0630	4
BOLT-SOCKET,6X35,BLACK (Ref # 120A)	120S0635	2
BOLT-SOCKET,8X30,BLACK (Ref # 120B)	120S0830	8
BOLT-SOCKET,12X35,BLACK (Ref # 120C)	120S1235	2
SCREW-PAN-CROS (Ref # 220)	220B0535	1
SCREW-PAN-CROS (Ref # 220A)	220B0545	1
SCREW-PAN-CROS (Ref # 220B)	220C0308	6
SCREW-PAN-CROS,5X50 (Ref # 220C)	220C0550	2
SCREW-CSK-CROS (Ref # 221)	221C0316	2
SCREW-PAN-WP-CROS (Ref # 224)	224C0510	6
WASHER-PLAIN-SMALL,6MM,BLACK (Ref # 410)	410F0600	1
WASHER-SPRING,12MM,BLACK (Ref # 461)	461K1200	2