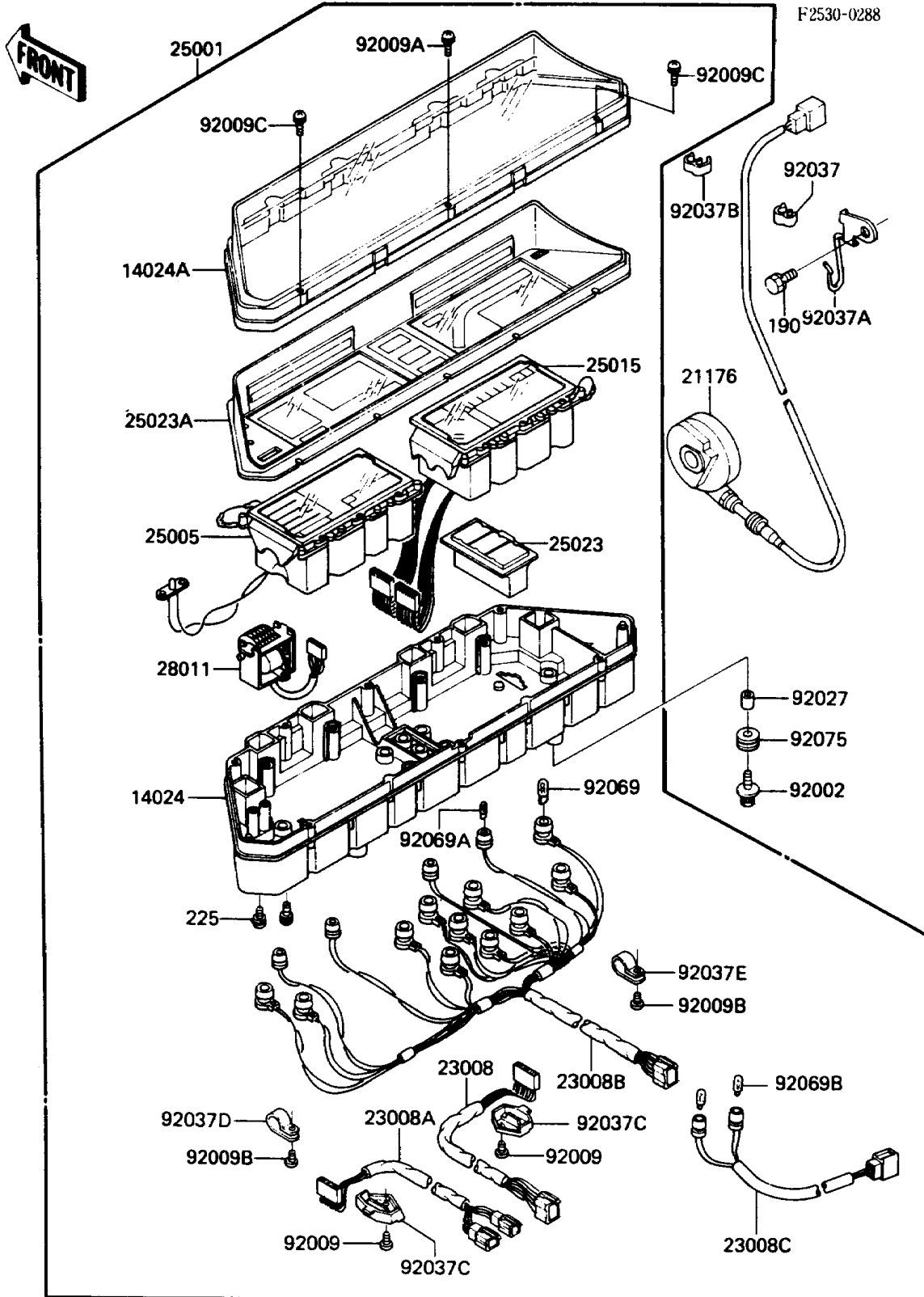


1988 Voyager PARTS DIAGRAM

Meter(s)



1988 Voyager PARTS LIST

Meter(s)

ITEM NAME	PART NUMBER	QUANTITY
COVER,METER,LWR (Ref # 14024)	14024-1596	1
COVER,METER,UPP (Ref # 14024A)	14025-1794	1
SENSOR (Ref # 21176)	21176-1053	1
SOCKET-ASSY,TACHOMETER (Ref # 23008)	23008-1206	1
SOCKET-ASSY,SPEEDOMETER (Ref # 23008A)	23008-1207	1
SOCKET-ASSY,PILOT LAMP (Ref # 23008B)	23008-1208	1
SOCKET-ASSY,CRUISE LAMP (Ref # 23008C)	23008-1350	1
METER-ASSY,MPH (Ref # 25001)	25001-1705	1
SPEEDOMETER,LCD,MPH (Ref # 25005)	25005-1373	1
TACHOMETER,LCD,(X1000RPM) (Ref # 25015)	25015-1203	1
COVER-METER CASE,PILOT BOX (Ref # 25023)	25023-1105	1
COVER-METER CASE (Ref # 25023A)	25023-1160	1
METER,ODOMETER (Ref # 28011)	28011-1055	1
BOLT,6X25 (Ref # 92002)	92002-1137	4
SCREW,TAPPING,3X12 (Ref # 92009)	92009-1028	2
SCREW,TAPPING,3X18 (Ref # 92009A)	92009-1280	2
SCREW,TAPPING,4X14 (Ref # 92009B)	92009-1503	2
SCREW,TAPPING,3X14 (Ref # 92009C)	92009-1504	6
COLLAR,6.8X10X12 (Ref # 92027)	92027-162	4
CLAMP,HOSE (Ref # 92037)	92037-1249	2
CLAMP,SENSOR LEAD WIRE (Ref # 92037A)	92037-1453	1
CLAMP,SENSOR LEAD WIRE (Ref # 92037B)	92037-1458	3
CLAMP,METER,SOCKET ASSY (Ref # 92037C)	92037-1478	2
CLAMP,METER,SOCKET ASSY (Ref # 92037D)	92037-1479	1
CLAMP,CABLE & HARNESS (Ref # 92037E)	92037-1616	1
BULB,12V 3.4W (Ref # 92069)	92069-1007	11
BULB,12V1.4W T-5 (Ref # 92069A)	92069-1051	4
BULB,12V 3W (Ref # 92069B)	92069-1068	2
DAMPER (Ref # 92075)	92075-209	4

1988 Voyager PARTS LIST

Meter(s)

ITEM NAME	PART NUMBER	QUANTITY
BOLT-UPSET-WS,10X14 (Ref # 190)	190C1014	1
SCREW-PAN-WSP-CROS (Ref # 225)	225B0410	2