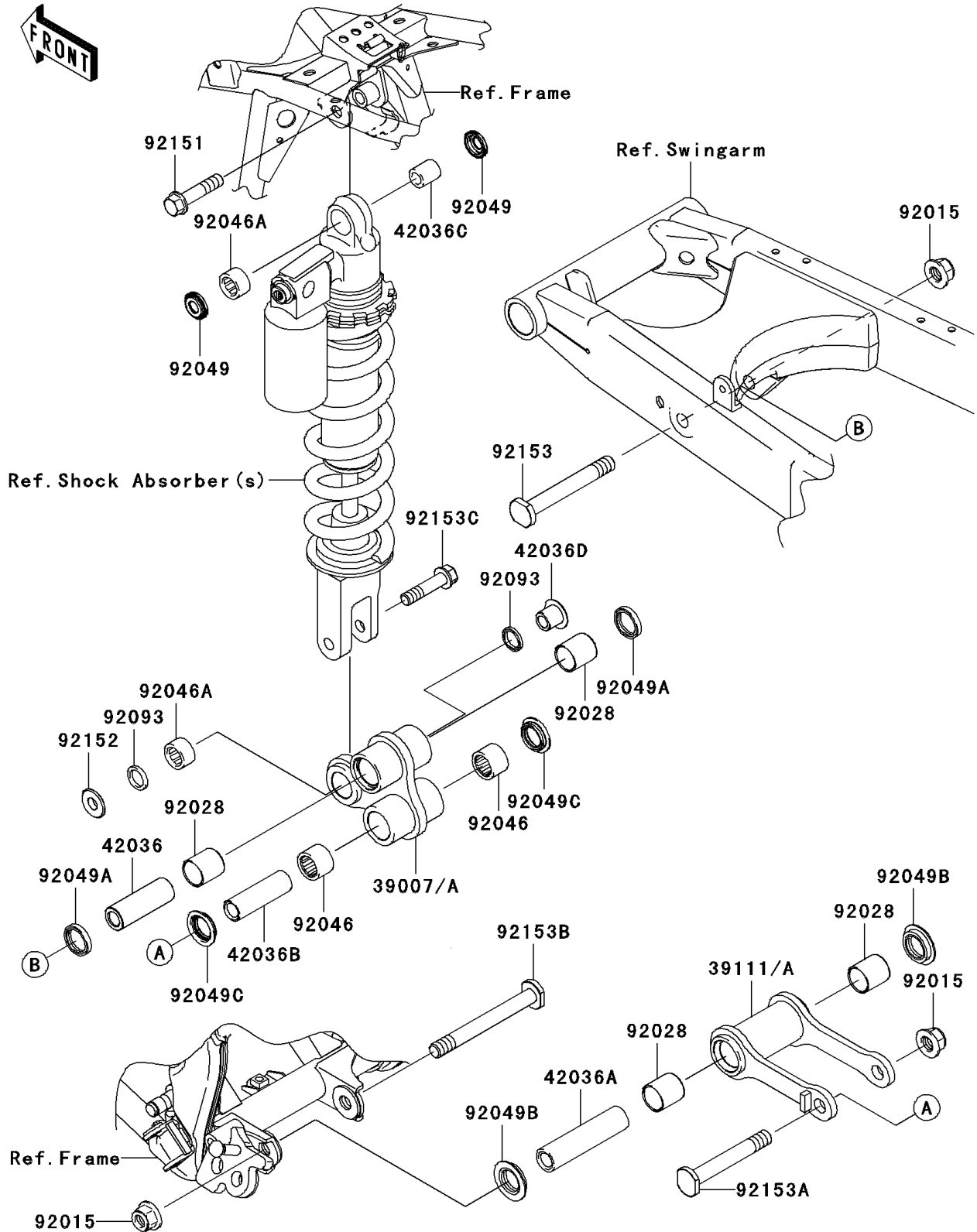


2010 KLX140L (CANADA ONLY) PARTS DIAGRAM

Rear Suspension

F2150



2010 KLX140L (CANADA ONLY) PARTS LIST

Rear Suspension

| ITEM NAME | PART NUMBER | QUANTITY |
|--|----------------|----------|
| ARM-SUSP,UNI TRAK,P.SILVER (Ref # 39007A) | 39007-0141-458 | 1 |
| ROD-TIE,SUSPENSION,P.SILVER (Ref # 39111A) | 39111-0062-458 | 1 |
| SLEEVE,12.1X20X58 (Ref # 42036) | 42036-0046 | 1 |
| SLEEVE,12.1X20X82.6 (Ref # 42036A) | 42036-0047 | 1 |
| SLEEVE,12.1X18X58 (Ref # 42036B) | 42036-0058 | 1 |
| SLEEVE,10X16X19 (Ref # 42036C) | 42036-1248 | 1 |
| SLEEVE (Ref # 42036D) | 42036-1351 | 1 |
| NUT,LOCK,FLANGED,12MM (Ref # 92015) | 92015-1433 | 3 |
| BUSHING (Ref # 92028) | 92028-1598 | 4 |
| BEARING-NEEDLE,18BM2416 (Ref # 92046) | 92046-1144 | 2 |
| BEARING-NEEDLE,16BM2212 (Ref # 92046A) | 92046-1192 | 2 |
| SEAL-OIL (Ref # 92049) | 92049-0069 | 2 |
| SEAL-OIL (Ref # 92049A) | 92049-0112 | 2 |
| SEAL-OIL,ARM (Ref # 92049B) | 92049-1109 | 2 |
| SEAL-OIL (Ref # 92049C) | 92049-1328 | 2 |
| SEAL (Ref # 92093) | 92093-0139 | 2 |
| BOLT,FLANGED,10X45 (Ref # 92151) | 92151-1413 | 1 |
| COLLAR (Ref # 92152) | 92152-1139 | 1 |
| BOLT,12X95 (Ref # 92153) | 92153-1827 | 1 |
| BOLT,12X85 (Ref # 92153A) | 92153-1828 | 1 |
| BOLT,12X108 (Ref # 92153B) | 92153-1829 | 1 |
| BOLT,FLANGED,10X42 (Ref # 92153C) | 92153-1957 | 1 |