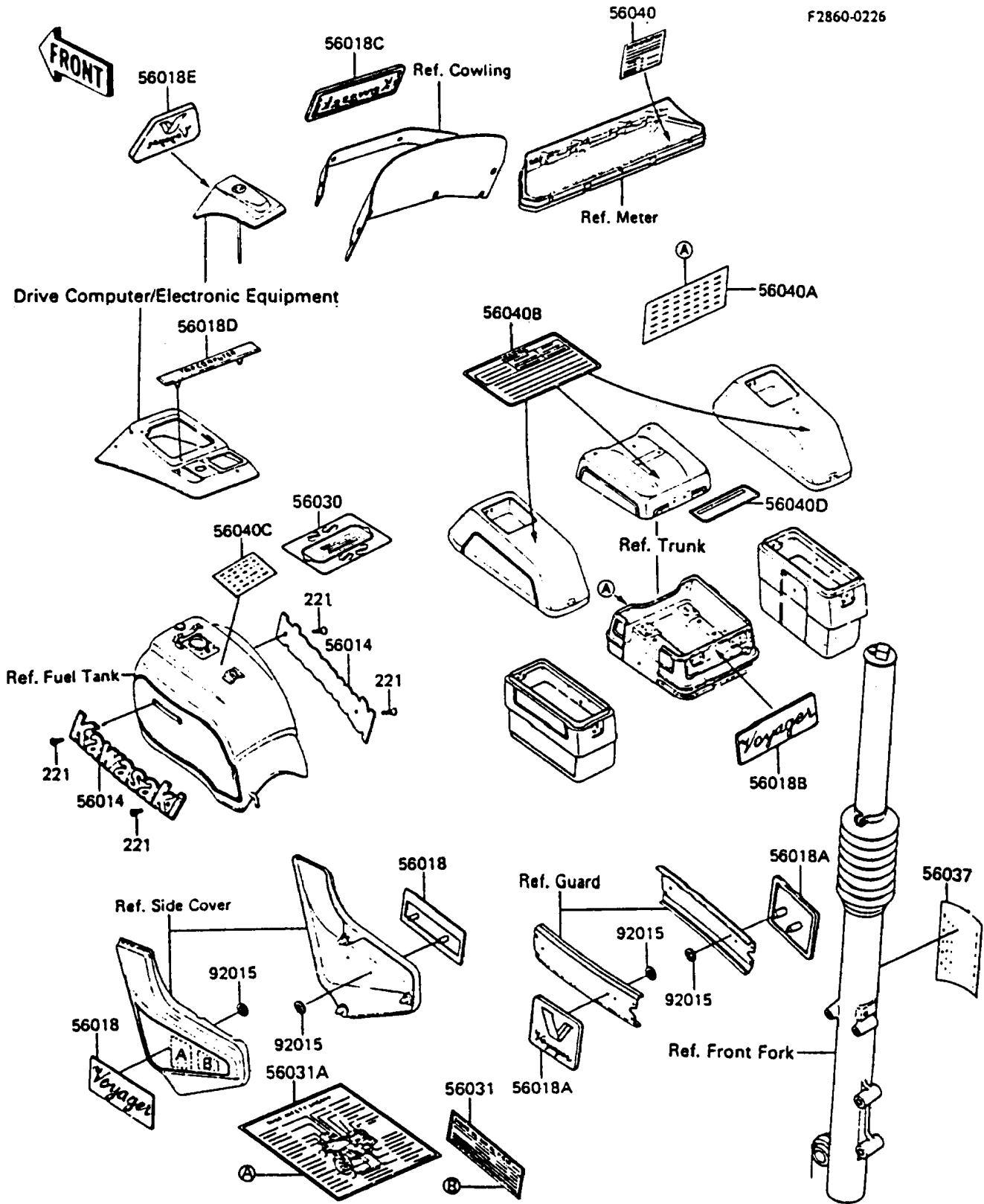


1987 Voyager PARTS DIAGRAM

Labels

F2860-0226



1987 Voyager PARTS LIST

Labels

ITEM NAME	PART NUMBER	QUANTITY
EMBLEM,FUEL TANK (Ref # 56014)	56014-1058	2
MARK,SIDE COVER,"VOYAGER" (Ref # 56018)	56018-1421	2
MARK,SIDEBAG (Ref # 56018A)	56018-1422	2
MARK,TRUNK,"VOYAGER" (Ref # 56018B)	56018-1423	1
MARK,COWLING,"KAWASAKI" (Ref # 56018C)	56018-1424	1
MARK,TRIP COMPUTER (Ref # 56018D)	56018-1425	1
MARK,COMPASS SENSOR COVER (Ref # 56018E)	56018-1426	1
LABEL,RIDING & SAFETY (Ref # 56030)	56030-1087	1
LABEL-MANUAL,ENGINE OIL (Ref # 56031)	56031-1321	1
LABEL-MANUAL,DAILY SAFETY (Ref # 56031A)	56031-1323	1
LABEL-SPECIFICATION,TIRE&LOAD (Ref # 56037)	56037-1387	1
LABEL-WARNING,BREAK IN CAUTION (Ref # 56040)	56040-1007	1
LABEL-WARNING,TRUNK ADJUST (Ref # 56040A)	56040-1109	1
LABEL-WARNING,MAXIMUM LOAD (Ref # 56040B)	56040-1114	3
LABEL-WARNING,EVAPO (Ref # 56040C)	56040-1121	1
LABEL-WARNING,MAXIMUM LOAD (Ref # 56040D)	56040-1222	1
NUT,PUSH,3MM (Ref # 92015)	92018-005	8
SCREW-CSK-CROS (Ref # 221)	221C0306	4