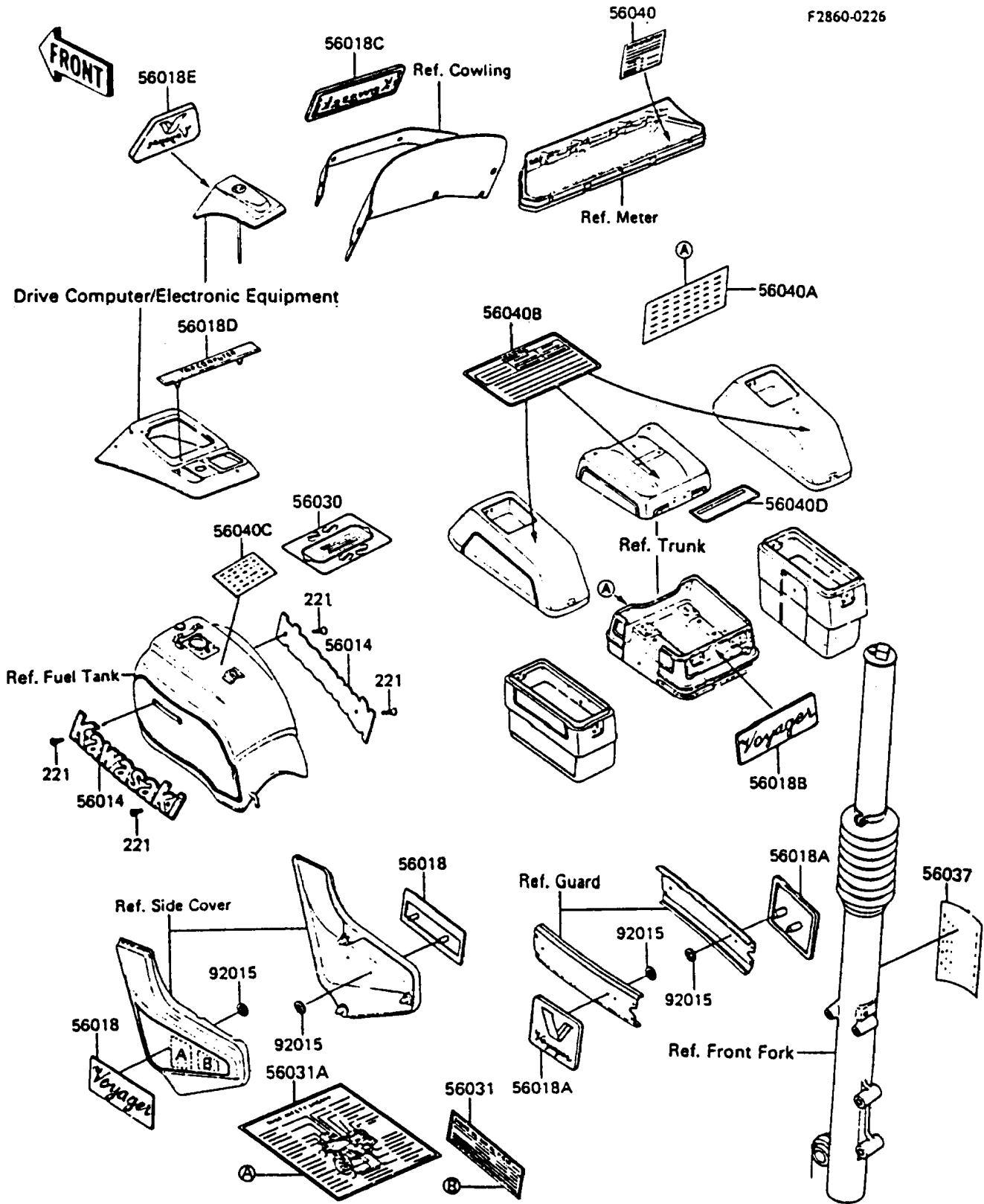


# 1988 Voyager PARTS DIAGRAM

Labels

F2860-0226



# 1988 Voyager PARTS LIST

## Labels

| ITEM NAME                                    | PART NUMBER | QUANTITY |
|--|-------------|----------|
| EMBLEM,FUEL TANK (Ref # 56014)               | 56014-1058  | 2        |
| MARK,SIDE COVER,"VOYAGER" (Ref # 56018)      | 56018-1421  | 2        |
| MARK,SIDEBAG (Ref # 56018A)                  | 56018-1422  | 2        |
| MARK,TRUNK,"VOYAGER" (Ref # 56018B)          | 56018-1423  | 1        |
| MARK,COWLING,"KAWASAKI" (Ref # 56018C)       | 56018-1424  | 1        |
| MARK,TRIP COMPUTER (Ref # 56018D)            | 56018-1425  | 1        |
| MARK,COMPASS SENSOR COVER (Ref # 56018E)     | 56018-1426  | 1        |
| LABEL,RIDING & SAFETY (Ref # 56030)          | 56030-1087  | 1        |
| LABEL-MANUAL,ENGINE OIL (Ref # 56031)        | 56031-1321  | 1        |
| LABEL-MANUAL,DAILY SAFETY (Ref # 56031A)     | 56031-1323  | 1        |
| LABEL-SPECIFICATION,TIRE&LOAD (Ref # 56037)  | 56037-1387  | 1        |
| LABEL-WARNING,BREAK IN CAUTION (Ref # 56040) | 56040-1007  | 1        |
| LABEL-WARNING,TRUNK ADJUST (Ref # 56040A)    | 56040-1109  | 1        |
| LABEL-WARNING,MAXIMUM LOAD (Ref # 56040B)    | 56040-1114  | 3        |
| LABEL-WARNING,EVAPO (Ref # 56040C)           | 56040-1121  | 1        |
| LABEL-WARNING,MAXIMUM LOAD (Ref # 56040D)    | 56040-1222  | 1        |
| NUT,PUSH,3MM (Ref # 92015)                   | 92018-005   | 8        |
| SCREW-CSK-CROS (Ref # 221)                   | 221C0306    | 4        |