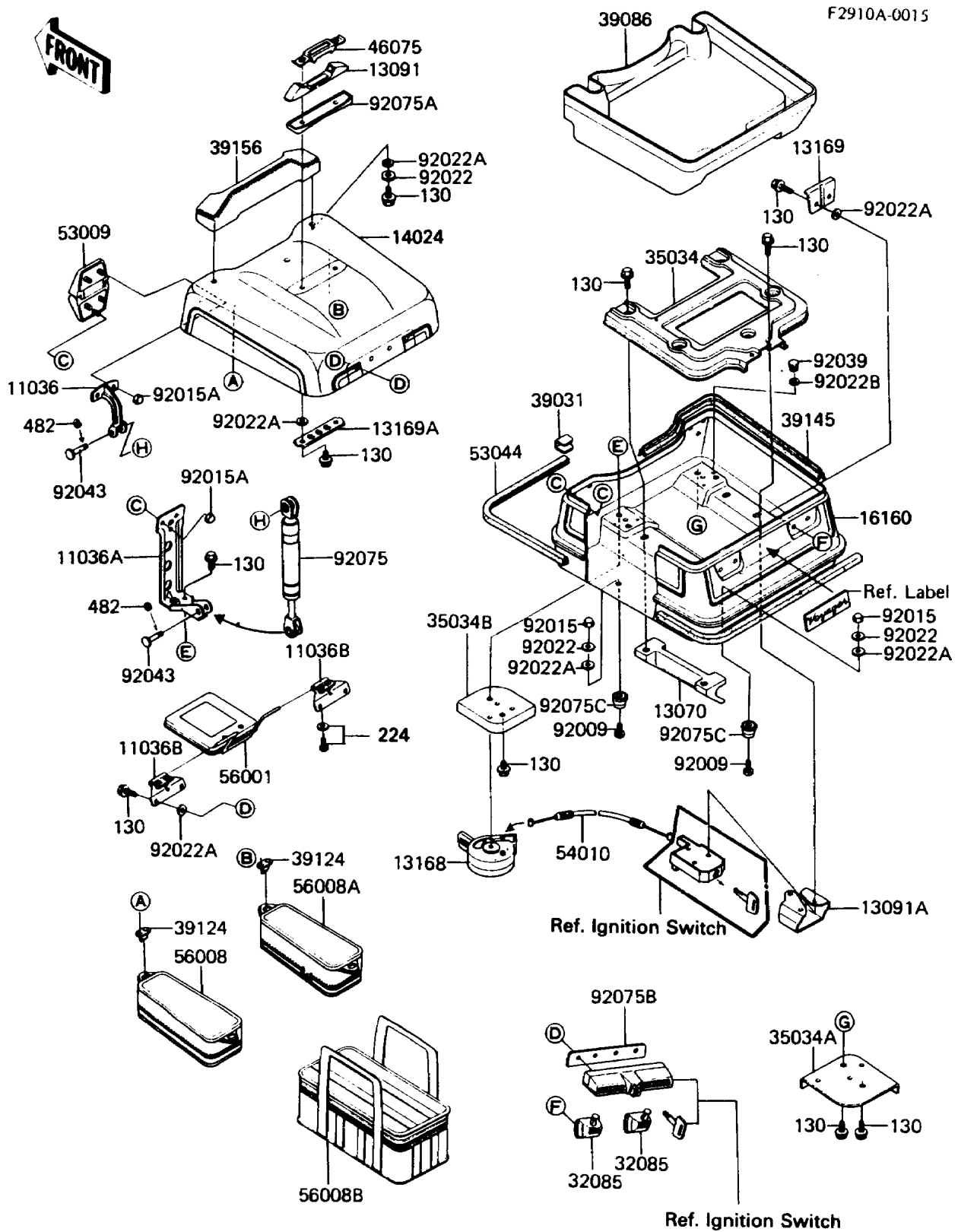


1987 Voyager PARTS DIAGRAM

Accessory



1987 Voyager PARTS LIST

Accessory

| ITEM NAME | PART NUMBER | QUANTITY |
|---|---------------|----------|
| BRACKET-A,TRUNK DAMPER,UPP (Ref # 11036) | 11036-1866 | 2 |
| BRACKET-A,TRUNK DAMPER,LWR (Ref # 11036A) | 11036-1867 | 2 |
| BRACKET-A,TRUNK COVER (Ref # 11036B) | 11036-1893 | 2 |
| GUIDE,TRUNK (Ref # 13070) | 13070-1079 | 2 |
| HOLDER,TRUNK GRIP (Ref # 13091) | 13091-1179 | 1 |
| HOLDER,TRUNK LOCK (Ref # 13091A) | 13091-1256 | 1 |
| LEVER,TRUNK LOCK (Ref # 13168) | 13168-1141 | 1 |
| PLATE,TRUNK STOPPER (Ref # 13169) | 13169-1590 | 2 |
| PLATE,TRUNK (Ref # 13169A) | 13169-1591 | 1 |
| COVER,TRUNK,L.V.RED (Ref # 14024) | 14024-5040-P5 | 1 |
| BODY,TRUNK,L.V.RED (Ref # 16160) | 16160-5013-P5 | 1 |
| STOPPER,TRUNK LOCK (Ref # 32085) | 32085-1125 | 2 |
| REINFORCE,TRUNK BOTTOM (Ref # 35034) | 35034-1089 | 1 |
| REINFORCE,TRUNK DAMPER,RH (Ref # 35034A) | 35034-1154 | 1 |
| REINFORCE,TRUNK DAMPER,LH (Ref # 35034B) | 35034-1156 | 1 |
| CAP-END,TRUNK TRIM (Ref # 39031) | 39031-1053 | 1 |
| PAD-STORAGE,TRUNK (Ref # 39086) | 39086-1001 | 1 |
| SNAP,TRUNK BAG (Ref # 39124) | 39124-1001 | 4 |
| TRIM-SEAL,TRUNK (Ref # 39145) | 39145-1002 | 1 |
| PAD,BLACK (Ref # 39156) | 39156-1060 | 1 |
| GRIP,TRUNK (Ref # 46075) | 46075-1034 | 1 |
| HINGE,TRUNK (Ref # 53009) | 53009-1035 | 2 |
| TRIM,TRUNK SIDE (Ref # 53044) | 53044-1041 | 1 |
| CABLE,TRUNK LOCK (Ref # 54010) | 54010-1007 | 1 |
| MIRROR-ASSY (Ref # 56001) | 56001-1137 | 1 |
| BAG,LH (Ref # 56008) | 56008-1021 | 1 |
| BAG,RH (Ref # 56008A) | 56008-1022 | 1 |
| BAG,CRT,INNER (Ref # 56008B) | 56008-1024 | 1 |
| SCREW,6X28 (Ref # 92009) | 92009-1066 | 4 |

1987 Voyager PARTS LIST

Accessory

| ITEM NAME | PART NUMBER | QUANTITY |
|---------------------------------------|-------------|----------|
| NUT,LOCK 6MM (Ref # 92015) | 92015-1262 | 4 |
| NUT,LOCK 5MM (Ref # 92015A) | 92015-1263 | 10 |
| WASHER,7X28X1.6,BLACK (Ref # 92022) | 92022-1392 | 7 |
| WASHER,RUBBER (Ref # 92022A) | 92022-1477 | 17 |
| WASHER,3.5X10X1.0 (Ref # 92022B) | 92022-1483 | 4 |
| RIVET (Ref # 92039) | 92039-1041 | 4 |
| PIN (Ref # 92043) | 92043-1142 | 4 |
| DAMPER,GASS (Ref # 92075) | 92075-1449 | 2 |
| DAMPER,TRUNK GRIP (Ref # 92075A) | 92075-1451 | 1 |
| DAMPER,TRUNK LOCK (Ref # 92075B) | 92075-1479 | 1 |
| DAMPER,TRUNK & SIDEBAG (Ref # 92075C) | 92075-1510 | 4 |
| BOLT-FLANGED,6X16 (Ref # 130) | 130C0616 | 24 |
| SCREW-PAN-WP-CROS,5X14 (Ref # 224) | 224C0514 | 4 |
| CIRCLIP-TYPE-E,4MM (Ref # 482) | 482L4000 | 4 |