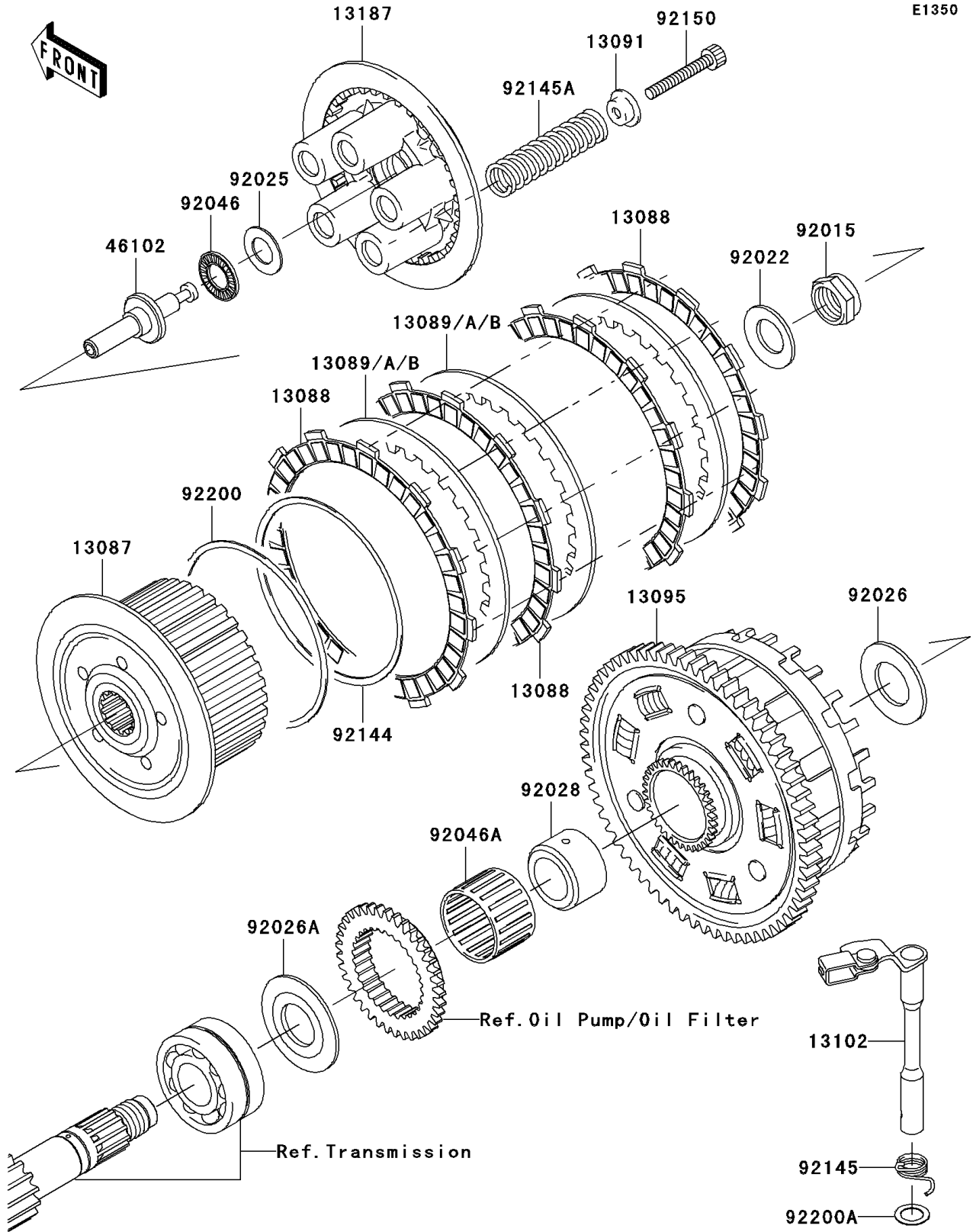


2003 Z1000 PARTS DIAGRAM

Clutch



2003 Z1000 PARTS LIST

Clutch

| ITEM NAME | PART NUMBER | QUANTITY |
|--|-------------|----------|
| HUB-CLUTCH (Ref # 13087) | 13087-1173 | 1 |
| PLATE-FRICTION (Ref # 13088) | 13088-1124 | 10 |
| PLATE-CLUTCH,T=2.0 (Ref # 13089) | 13089-1073 | AR |
| PLATE-CLUTCH,T=2.3 (Ref # 13089A) | 13089-1084 | 9 |
| PLATE-CLUTCH,T=2.6 (Ref # 13089B) | 13089-1115 | AR |
| HOLDER,CLUTCH SPRING (Ref # 13091) | 13091-1041 | 5 |
| HOUSING-COMP-CLUTCH (Ref # 13095) | 13095-1417 | 1 |
| RELEASE-COMP-CLUTCH (Ref # 13102) | 13102-1162 | 1 |
| PLATE-CLUTCH OPERATING (Ref # 13187) | 13187-1083 | 1 |
| ROD (Ref # 46102) | 46102-1425 | 1 |
| NUT,20MM (Ref # 92015) | 92015-1555 | 1 |
| WASHER (Ref # 92022) | 92022-1868 | 1 |
| SHIM,15.3X27.5X1.20 (Ref # 92025) | 92025-1137 | 1 |
| SPACER,25.5X47X2.5 (Ref # 92026) | 92026-022 | 1 |
| SPACER (Ref # 92026A) | 92026-1497 | 1 |
| BUSHING (Ref # 92028) | 92028-1741 | 1 |
| BEARING-NEEDLE,AXK1102 (Ref # 92046) | 92046-1052 | 1 |
| BEARING-NEEDLE,K38X43X28.8X (Ref # 92046A) | 92046-1263 | 1 |
| SPRING,FRICTION PLATE (Ref # 92144) | 92144-1854 | 1 |
| SPRING,CLUTCH RELEASE (Ref # 92145) | 92145-0066 | 1 |
| SPRING,CLUTCH (Ref # 92145A) | 92145-1364 | 5 |
| BOLT,CLUTCH OPERATING (Ref # 92150) | 92150-1855 | 5 |
| WASHER,FRICTION PLATE (Ref # 92200) | 92200-1260 | 1 |
| WASHER,12X18.5X0.5 (Ref # 92200A) | 92200-1487 | 1 |