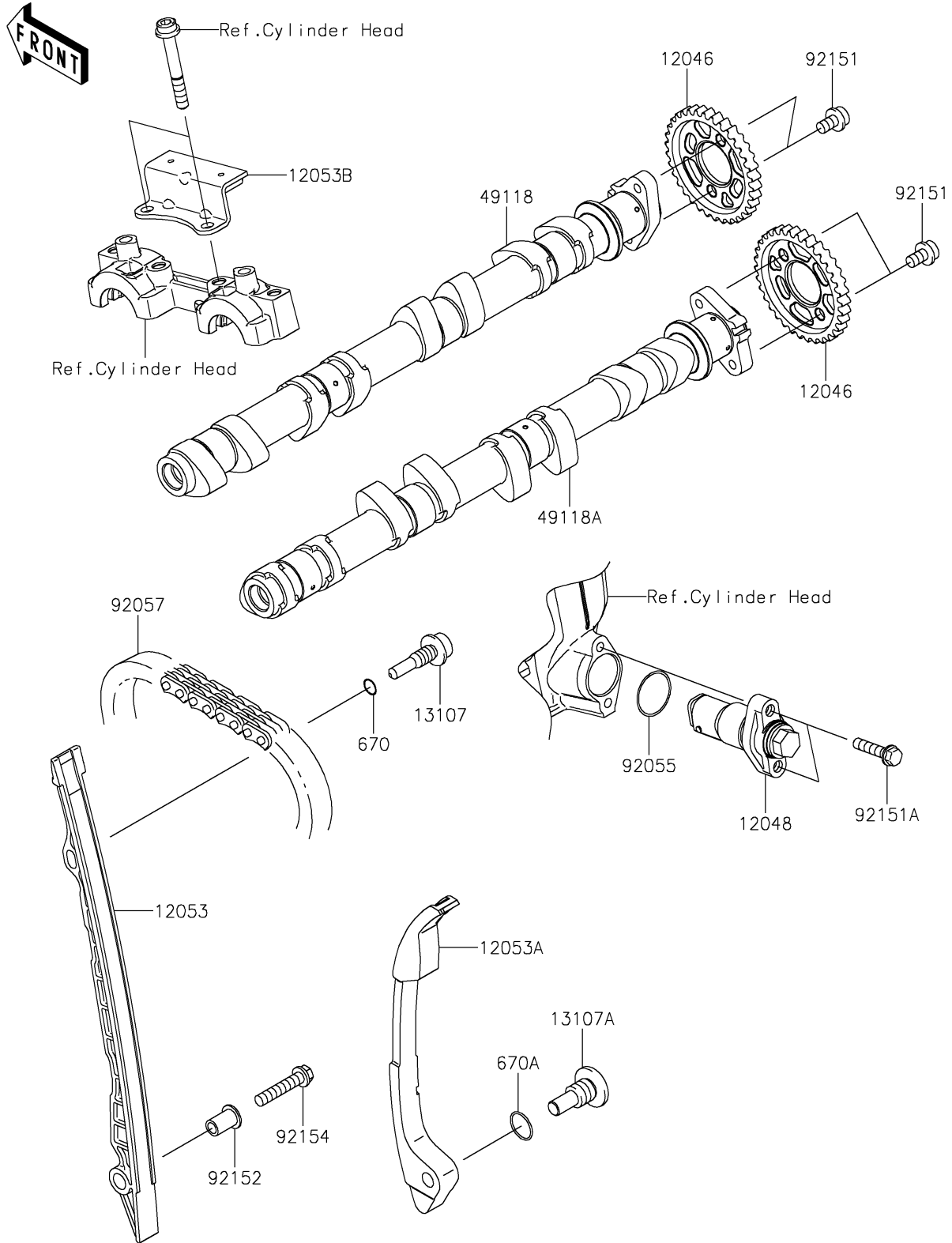


# 2021 VERSYS® 1000 SE LT+ PARTS DIAGRAM

Camshaft(s)/Tensioner

E1230



## 2021 VERSYS® 1000 SE LT+ PARTS LIST

### Camshaft(s)/Tensioner

| ITEM NAME                              | PART NUMBER | QUANTITY |
|--|-------------|----------|
| SPROCKET,CAMSHAFT,34T (Ref # 12046)    | 12046-0564  | 2        |
| TENSIONER-ASSY (Ref # 12048)           | 12048-0080  | 1        |
| GUIDE-CHAIN,FR (Ref # 12053)           | 12053-0161  | 1        |
| GUIDE-CHAIN,RR (Ref # 12053A)          | 12053-0162  | 1        |
| GUIDE-CHAIN,UPP (Ref # 12053B)         | 12053-0163  | 1        |
| SHAFT,CHAIN GUIDE (Ref # 13107)        | 13107-0157  | 1        |
| SHAFT (Ref # 13107A)                   | 13107-1376  | 1        |
| CAMSHAFT-COMP,EXHAUST (Ref # 49118)    | 49118-0946  | 1        |
| CAMSHAFT-COMP,INTAKE (Ref # 49118A)    | 49118-0968  | 1        |
| RING-O,18.8X1.9 (Ref # 92055)          | 92055-086   | 1        |
| CHAIN,98XRH2015-126M (Ref # 92057)     | 92057-0202  | 1        |
| BOLT,SOCKET,6X10 (Ref # 92151)         | 92151-1829  | 4        |
| BOLT,FLANGED-SMALL,6X25 (Ref # 92151A) | 92151-1930  | 2        |
| COLLAR (Ref # 92152)                   | 92152-1167  | 1        |
| BOLT,FLANGED,6X30 (Ref # 92154)        | 92154-1942  | 1        |
| O RING,9MM (Ref # 670)                 | 670D1509    | 1        |
| O RING,14MM (Ref # 670A)               | 670D2014    | 1        |