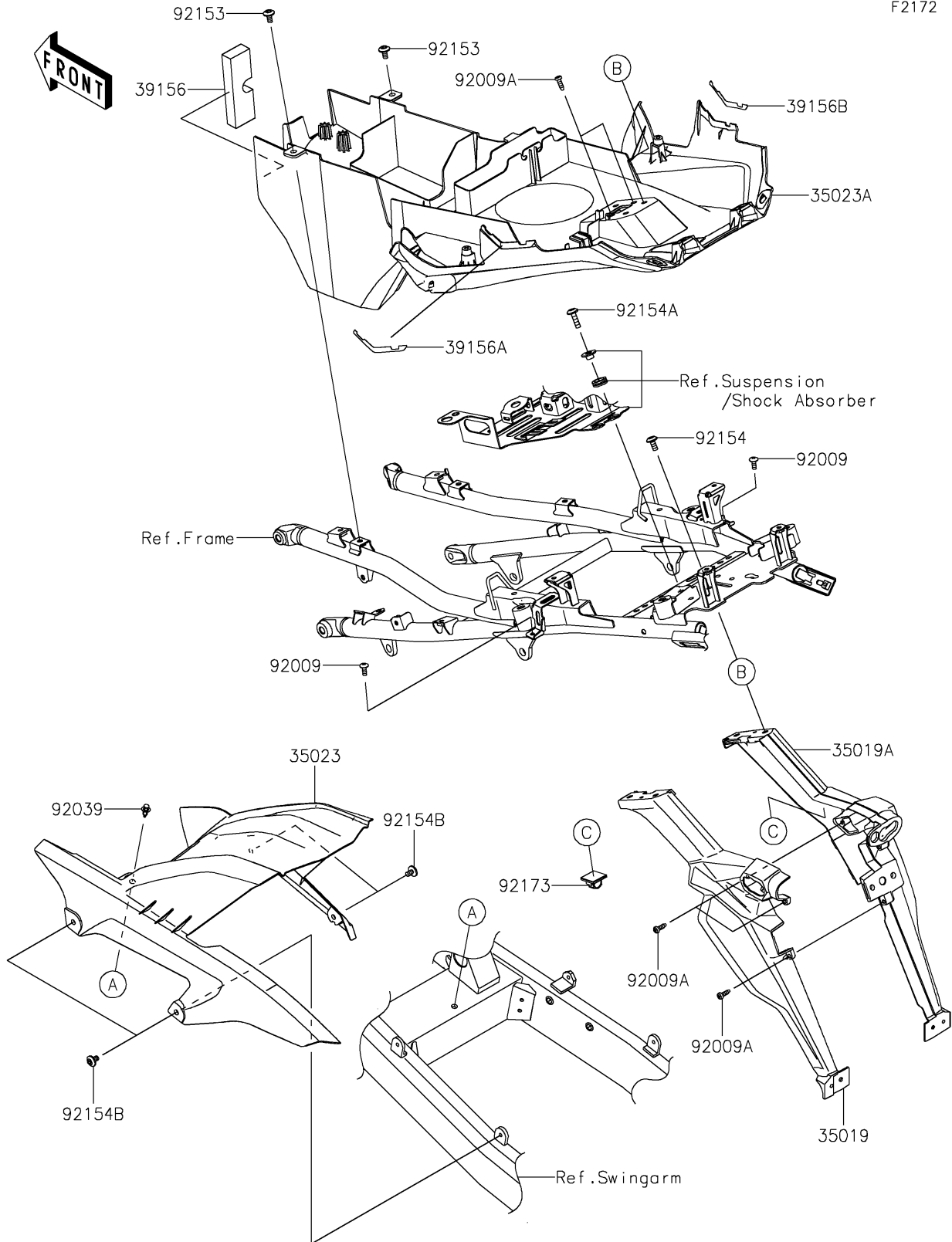


2021 VERSYS® 1000 SE LT+ PARTS DIAGRAM

Rear Fender(s)

F2172



2021 VERSYS® 1000 SE LT+ PARTS LIST

Rear Fender(s)

ITEM NAME	PART NUMBER	QUANTITY
-----------	-------------	----------