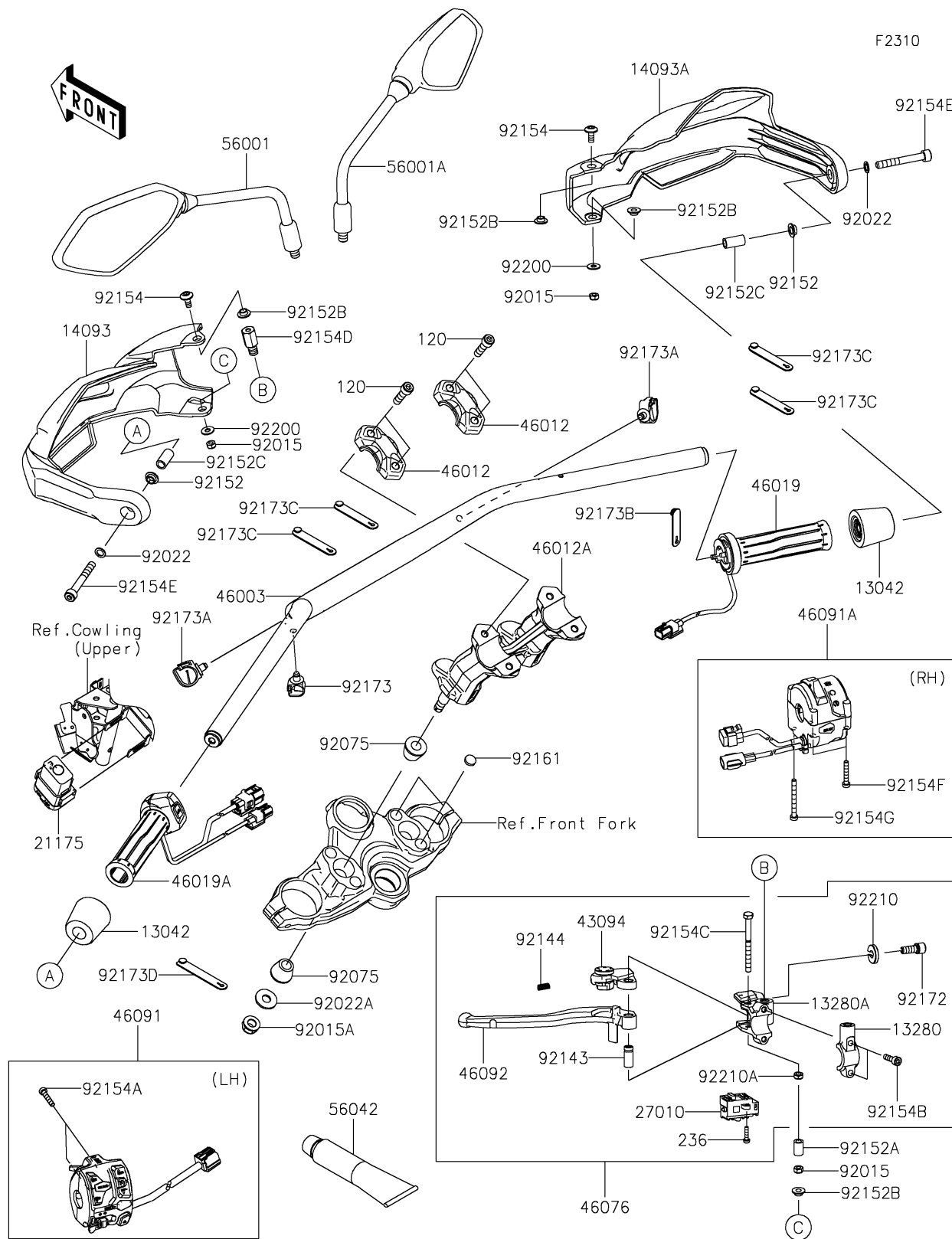


2021 VERSYS® 1000 SE LT+ PARTS DIAGRAM

Handlebar



2021 VERSYS® 1000 SE LT+ PARTS LIST

Handlebar

ITEM NAME	PART NUMBER	QUANTITY
WEIGHT,HANDLE (Ref # 13042)	13042-0785	2
HOLDER,CLUTCH LEVER (Ref # 13280)	13280-0772	1
HOLDER (Ref # 13280A)	13280-0926	1
COVER,LH (Ref # 14093)	14093-0751	1
COVER,RH (Ref # 14093A)	14093-0752	1
CONTROL UNIT-ELECTRONIC,GH (Ref # 21175)	21175-1329	1
SWITCH,CLUTCH (Ref # 27010)	27010-0916	1
ADJUSTER (Ref # 43094)	43094-0008	1
HANDLE,F.S.BLACK (Ref # 46003)	46003-0717-18R	1
HOLDER-HANDLE,UPP,F.S.BLACK (Ref # 46012)	46012-0353-18R	2
HOLDER-HANDLE,LWR,F.S.BLACK (Ref # 46012A)	46012-0354-18R	1
GRIP-ASSY,HEATER,RH (Ref # 46019)	46019-0081	1
GRIP-ASSY,HEATER,LH (Ref # 46019A)	46019-0090	1
LEVER-ASSY-GRIP,CLUTCH (Ref # 46076)	46076-0164	1
HOUSING-ASSY-CONTROL,LH (Ref # 46091)	46091-0532	1
HOUSING-ASSY-CONTROL,RH (Ref # 46091A)	46091-0581	1
LEVER-GRIP,CLUTCH (Ref # 46092)	46092-0575	1
MIRROR-ASSY,LH (Ref # 56001)	56001-0297	1
MIRROR-ASSY,RH (Ref # 56001A)	56001-0298	1
ADHESIVE,TB1530C (Ref # 56042)	56042-0001	AR
NUT,LOCK,6MM,BLACK (Ref # 92015)	92015-1191	3
NUT,LOCK,FLANGED,10MM (Ref # 92015A)	92015-1717	2
WASHER,8.5X13X1 (Ref # 92022)	92022-1028	2
WASHER,10.5X26X2.3,BLACK (Ref # 92022A)	92022-1396	2
DAMPER,HANDLE HOLDER (Ref # 92075)	92075-039	4
COLLAR (Ref # 92143)	92143-1379	1
SPRING (Ref # 92144)	92144-1467	1
COLLAR (Ref # 92152)	92152-2512	2
COLLAR,6.5X10.5X16.5 (Ref # 92152A)	92152-2513	1

2021 VERSYS® 1000 SE LT+ PARTS LIST

Handlebar

ITEM NAME	PART NUMBER	QUANTITY
COLLAR (Ref # 92152B)	92152-2514	4
COLLAR,8.2X11.8X23.5 (Ref # 92152C)	92152-2515	2
BOLT,SOCKET,6X14 (Ref # 92154)	92154-0907	2
BOLT,SOCKET,5X25 (Ref # 92154A)	92154-2596	2
BOLT,SOCKET,6X20 (Ref # 92154B)	92154-2644	2
BOLT,CLUTCH LEVER PIVOT (Ref # 92154C)	92154-3816	1
BOLT (Ref # 92154D)	92154-3825	1
BOLT,SOCKET,8X60 (Ref # 92154E)	92154-3826	2
BOLT,5X30 (Ref # 92154F)	92154-3921	2
BOLT,5X50 (Ref # 92154G)	92154-3922	2
DAMPER,13X3 (Ref # 92161)	92161-1723	4
SCREW (Ref # 92172)	92172-1138	1
CLAMP,12MM DIA. (Ref # 92173)	92173-0736	1
CLAMP (Ref # 92173A)	92173-0861	2
CLAMP,RUBBER PLATE (Ref # 92173B)	92173-1229	1
CLAMP (Ref # 92173C)	92173-1526	4
CLAMP (Ref # 92173D)	92173-2194	1
WASHER,6.2X15X1.2 (Ref # 92200)	92200-1762	2
NUT (Ref # 92210)	92210-1519	1
NUT,LOCK,6MM (Ref # 92210A)	92210-1544	1
BOLT-SOCKET,8X30 (Ref # 120)	120CC0830	4
SCREW-PAN-WSP-CROS (Ref # 236)	236AB0416	1