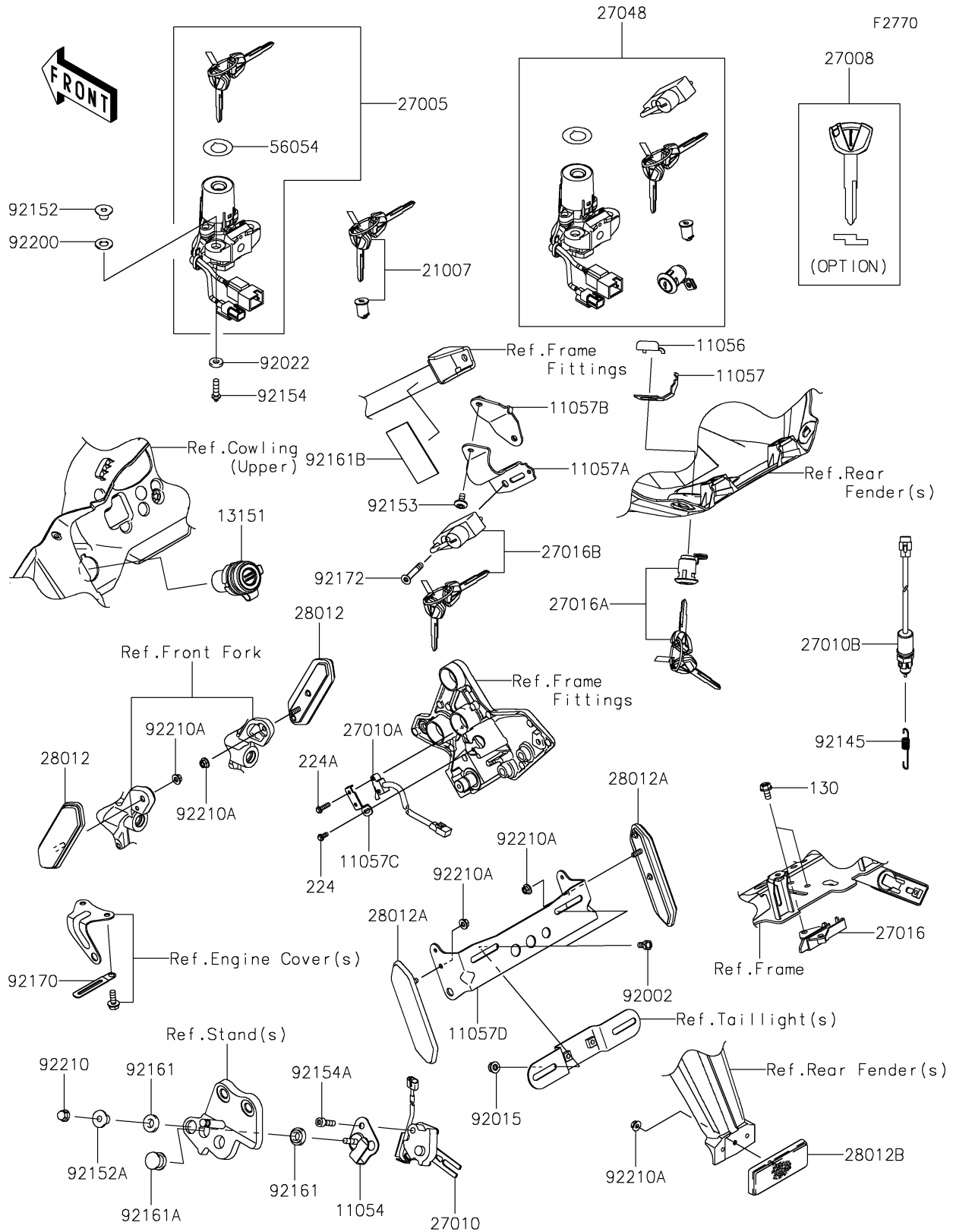


# 2021 VERSYS® 1000 SE LT+ PARTS DIAGRAM

## Ignition Switch



## 2021 VERSYS® 1000 SE LT+ PARTS LIST

### Ignition Switch

ITEM NAME	PART NUMBER	QUANTITY
BRACKET,SIDE STAND SWITCH (Ref # 11054)	11054-1904	1
BRACKET,CLASP (Ref # 11056)	11056-0238	1
BRACKET,KEY CYLINDER (Ref # 11057)	11057-0478	1
BRACKET (Ref # 11057A)	11057-1708	1
BRACKET (Ref # 11057B)	11057-1709	1
BRACKET,REAR BRAKE (Ref # 11057C)	11057-1969	1
BRACKET,RR,REFLECTOR (Ref # 11057D)	11057-2748	1
SWITCH-COMP,DC OUTLET (Ref # 13151)	13151-0579	1
ROTOR,LOCK,TANK CAP (Ref # 21007)	21007-5068	1
SWITCH-ASSY-IGNITION (Ref # 27005)	27005-0727	1
KEY-LOCK,BLANK,IMMOBI,SUB (Ref # 27008)	27008-0065	1
SWITCH,SIDE STAND (Ref # 27010)	27010-0811	1
SWITCH,REAR BRAKE (Ref # 27010A)	27010-0865	1
SWITCH,BRAKE (Ref # 27010B)	27010-0894	1
LOCK-ASSY,SEAT STRIKER (Ref # 27016)	27016-1115	1
LOCK-ASSY,SEAT (Ref # 27016A)	27016-5396	1
LOCK-ASSY,HELMET (Ref # 27016B)	27016-5402	1
SWITCH-ASSY (Ref # 27048)	27048-5295	1
REFLECTOR-REFLEX,CCC (Ref # 28012)	28012-0045	2
REFLECTOR-REFLEX,RED,CCC (Ref # 28012A)	28012-0046	2
REFLECTOR-REFLEX (Ref # 28012B)	28012-1077	1
MARK,IGNITION SWITCH (Ref # 56054)	56054-0969	1
BOLT,6X12 (Ref # 92002)	92002-1132	2
NUT,FLANGED,6MM (Ref # 92015)	92015-1367	2
WASHER,7X15.5X3 (Ref # 92022)	92022-312	2
SPRING,BRAKE LAMP SWITCH (Ref # 92145)	92145-0761	1
COLLAR (Ref # 92152)	92152-0423	2
COLLAR (Ref # 92152A)	92152-1074	1
BOLT,SOCKET,6X12 (Ref # 92153)	92153-1948	1

## 2021 VERSYS® 1000 SE LT+ PARTS LIST

### Ignition Switch

ITEM NAME	PART NUMBER	QUANTITY
BOLT,TORX,6X22 (Ref # 92154)	92154-1858	2
BOLT,SOCKET,6X22 (Ref # 92154A)	92154-1898	1
DAMPER (Ref # 92161)	92161-0117	2
DAMPER (Ref # 92161A)	92161-0118	1
DAMPER,36X77X1.5 (Ref # 92161B)	92161-2202	1
CLAMP (Ref # 92170)	92170-1514	1
SCREW,HEXLOBE,6X35 (Ref # 92172)	92172-0835	1
WASHER,10.2X20X1.6 (Ref # 92200)	92200-0328	2
NUT,CAP,6MM (Ref # 92210)	92210-0003	1
NUT,FLANGED,5MM (Ref # 92210A)	92210-0007	5
BOLT-FLANGED,6X12 (Ref # 130)	130BA0612	2
SCREW-PAN-WP-CROS,4X10 (Ref # 224)	224AA0410	1
SCREW-PAN-WP-CROS,4X16 (Ref # 224A)	224AA0416	1