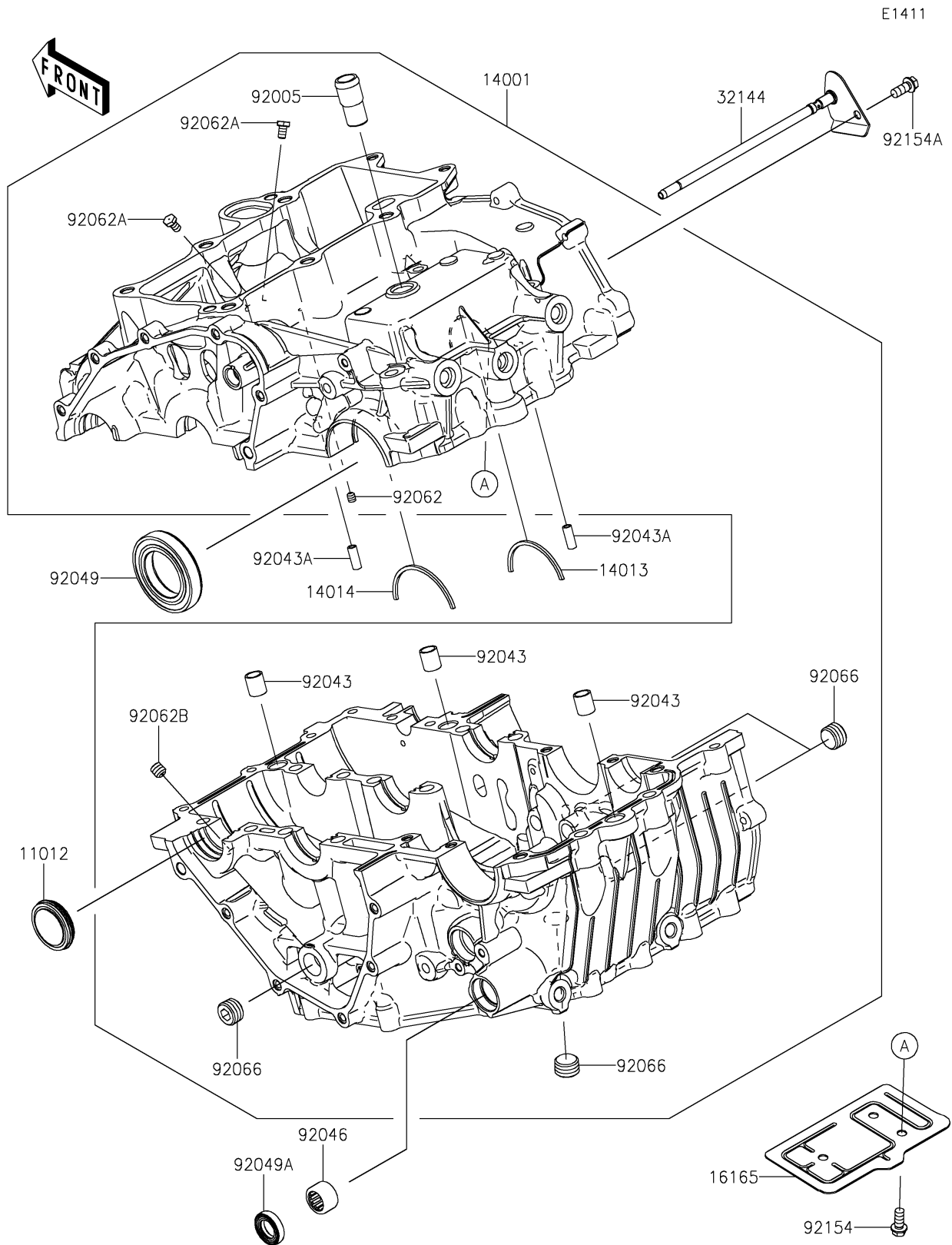


# 2022 NINJA® 400 PARTS DIAGRAM

## Crankcase



E1411

# 2022 NINJA® 400 PARTS LIST

Crankcase

ITEM NAME	PART NUMBER	QUANTITY
-----------	-------------	----------