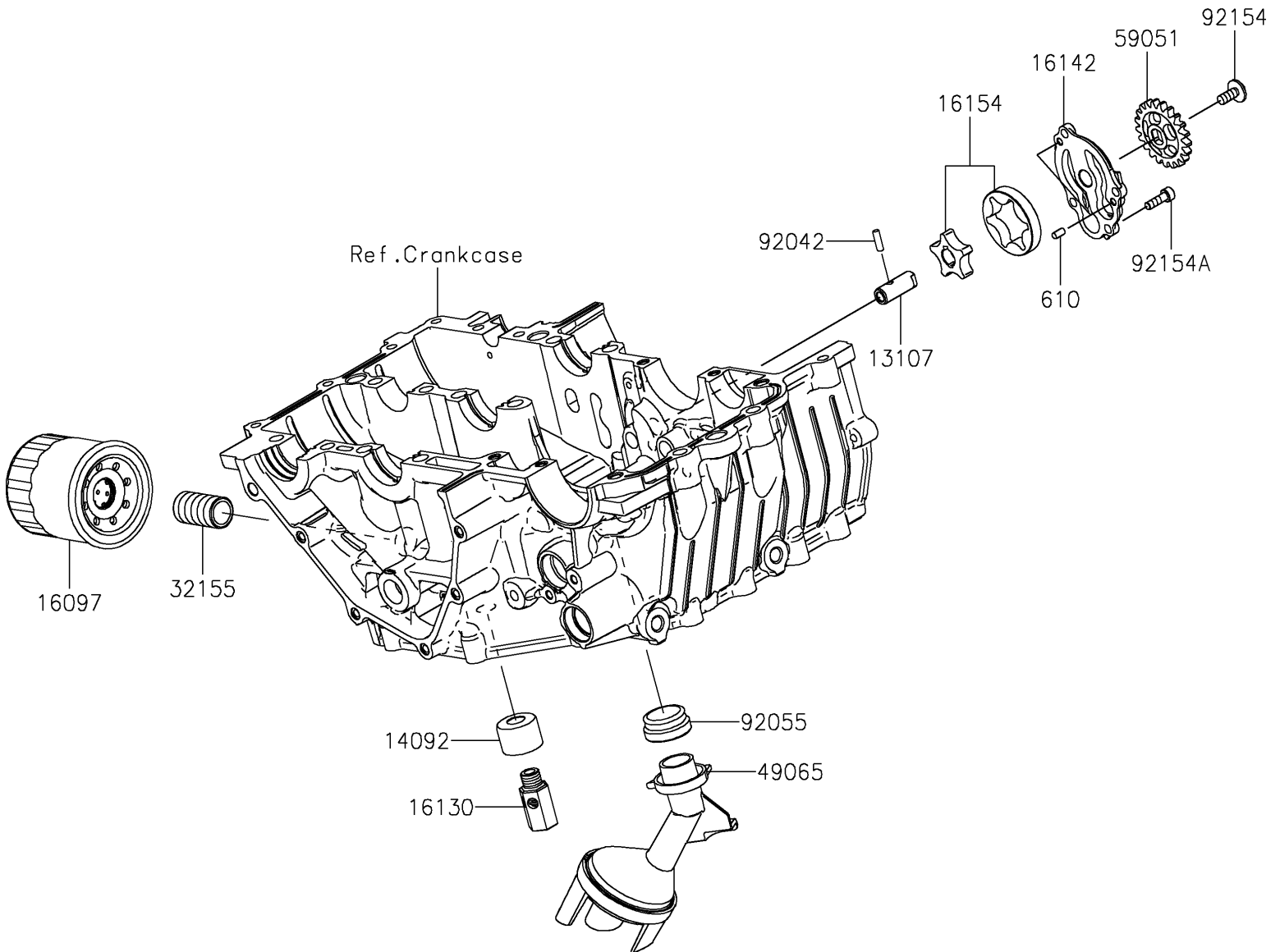


2023 Ninja 400 PARTS DIAGRAM

Oil Pump/Oil Filter

E1710



2023 Ninja 400 PARTS LIST

Oil Pump/Oil Filter

ITEM NAME	PART NUMBER	QUANTITY
SHAFT (Ref # 13107)	13107-0905	1
COVER,RELIEF VALVE (Ref # 14092)	14092-1002	1
FILTER-ASSY-OIL (Ref # 16097)	16097-0552	1
VALVE-ASSY-RELIEF (Ref # 16130)	16130-0006	1
COVER-PUMP (Ref # 16142)	16142-0748	1
ROTOR-PUMP (Ref # 16154)	16154-0738	1
PIPE,OIL FILTER (Ref # 32155)	32155-0029	1
FILTER-OIL (Ref # 49065)	49065-0048	1
GEAR-SPUR,OIL PUMP,21T (Ref # 59051)	59051-0797	1
PIN,DOWEL,4X13.8 (Ref # 92042)	92042-030	1
RING-O,OIL FILTER (Ref # 92055)	92055-1354	1
BOLT,SOCKET,6X14 (Ref # 92154)	92154-2731	1
BOLT,SOCKET,5X16 (Ref # 92154A)	92154-2792	4
ROLLER,4X8 (Ref # 610)	610A0408	2