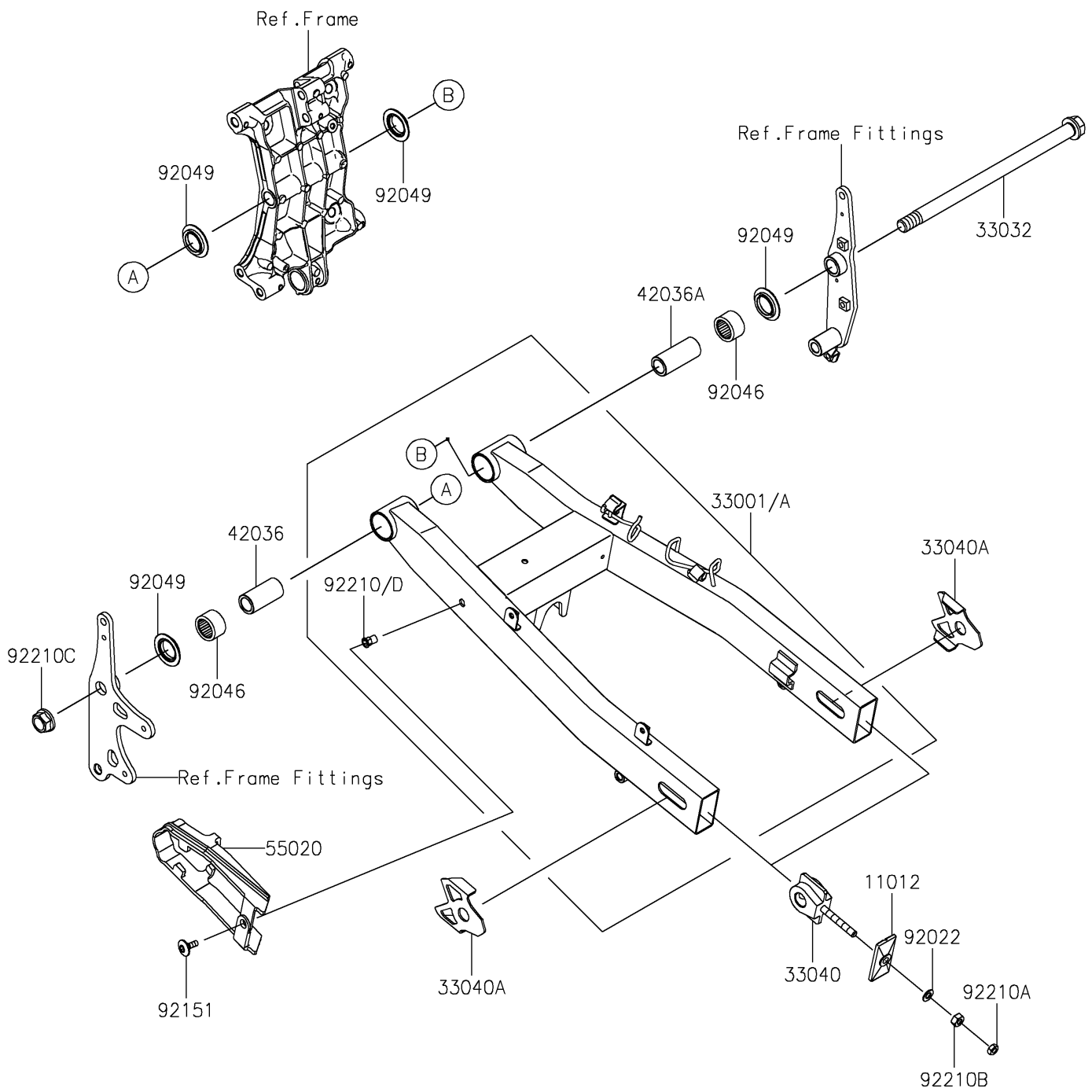


2022 NINJA® 400 PARTS DIAGRAM

Swingarm

F2141



2022 NINJA® 400 PARTS LIST

Swingarm

ITEM NAME	PART NUMBER	QUANTITY
-----------	-------------	----------