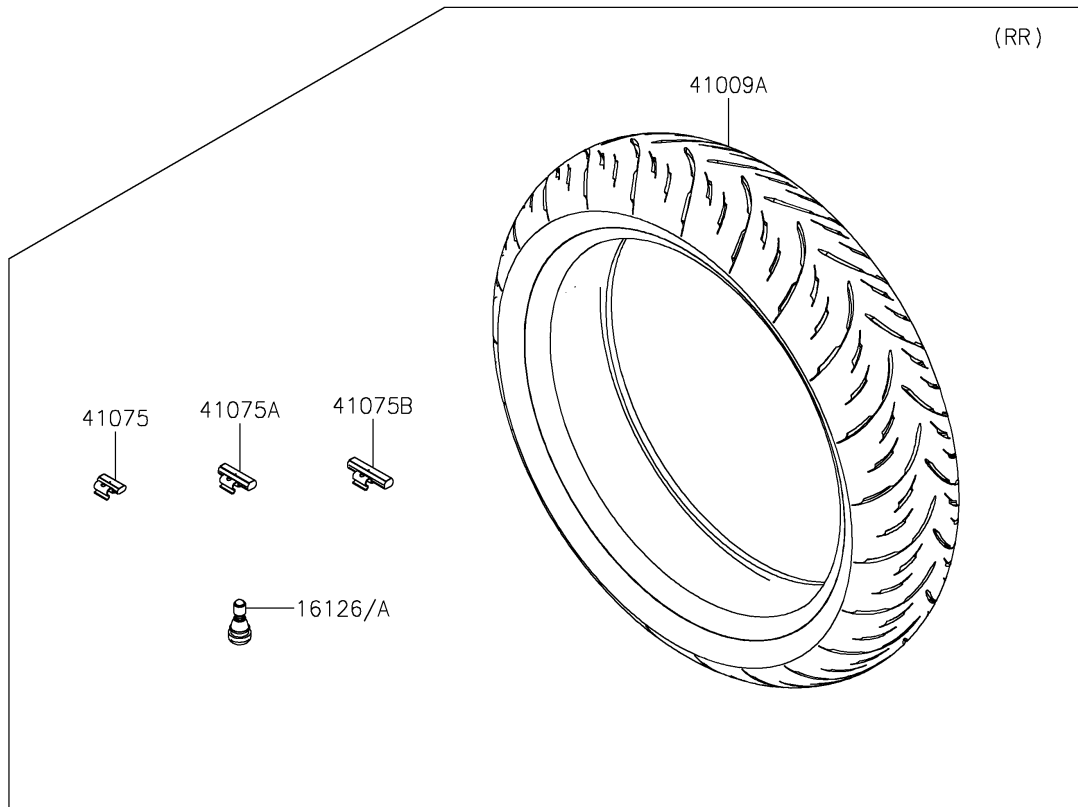
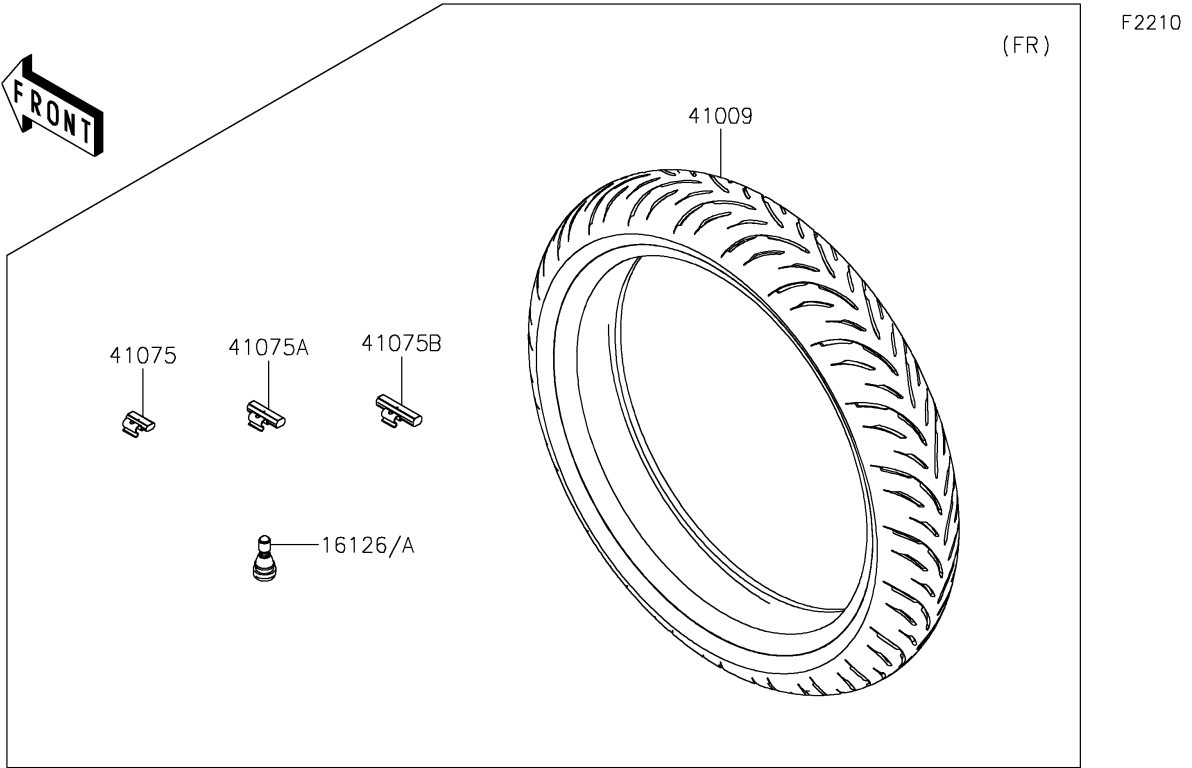


2022 NINJA® 400 PARTS DIAGRAM

Tires



2022 NINJA® 400 PARTS LIST

Tires

| ITEM NAME | PART NUMBER | QUANTITY |
|-----------|-------------|----------|
|-----------|-------------|----------|