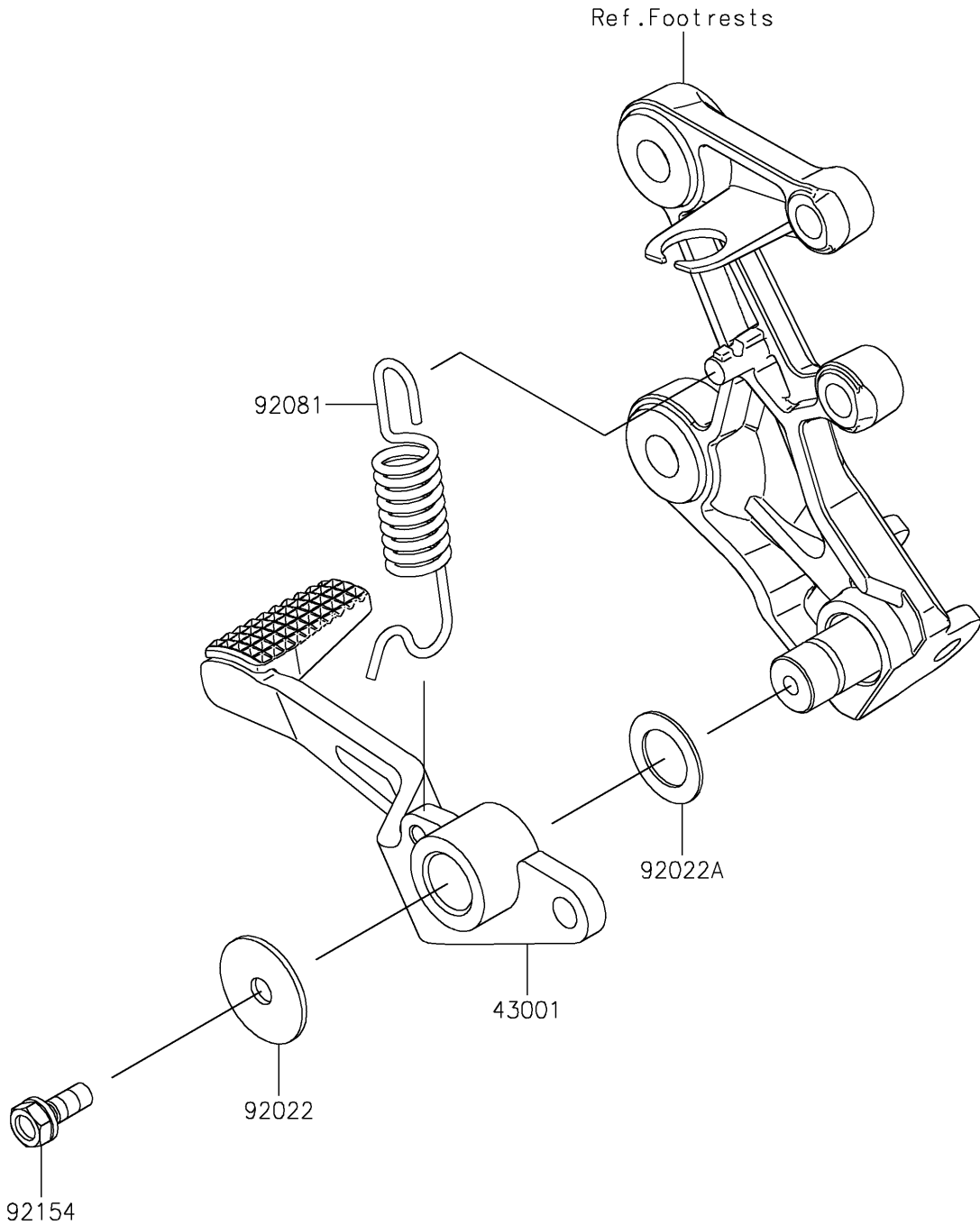


2022 NINJA® 400 PARTS DIAGRAM

Brake Pedal/Torque Link

F2260



2022 NINJA® 400 PARTS LIST

Brake Pedal/Torque Link

ITEM NAME	PART NUMBER	QUANTITY
-----------	-------------	----------